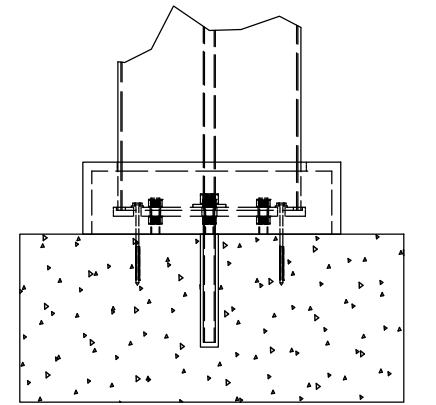
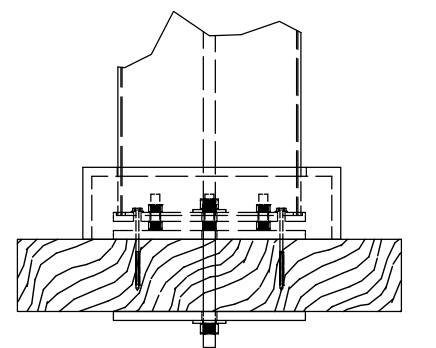


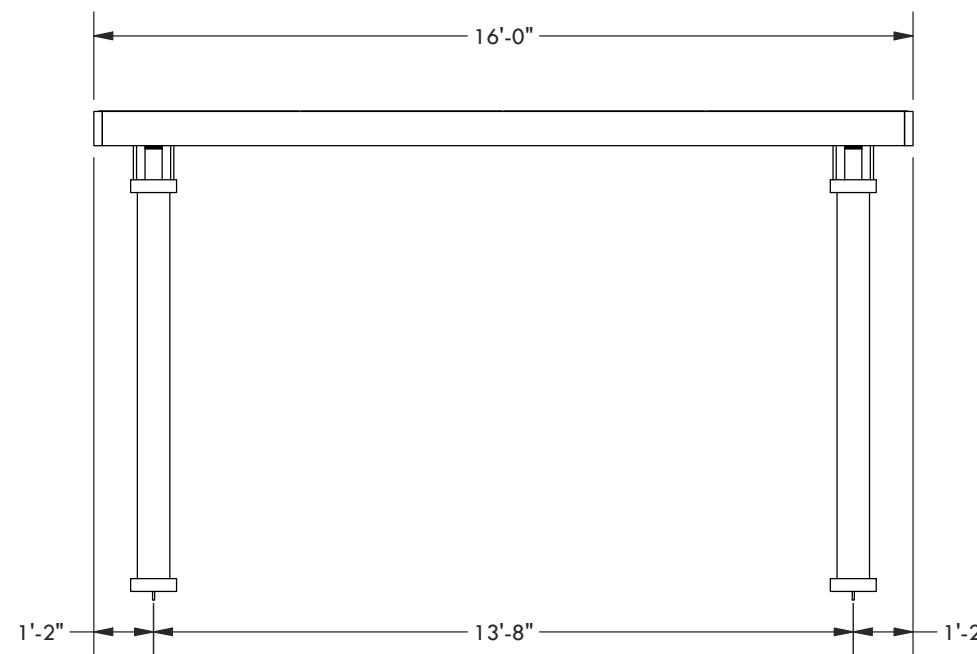
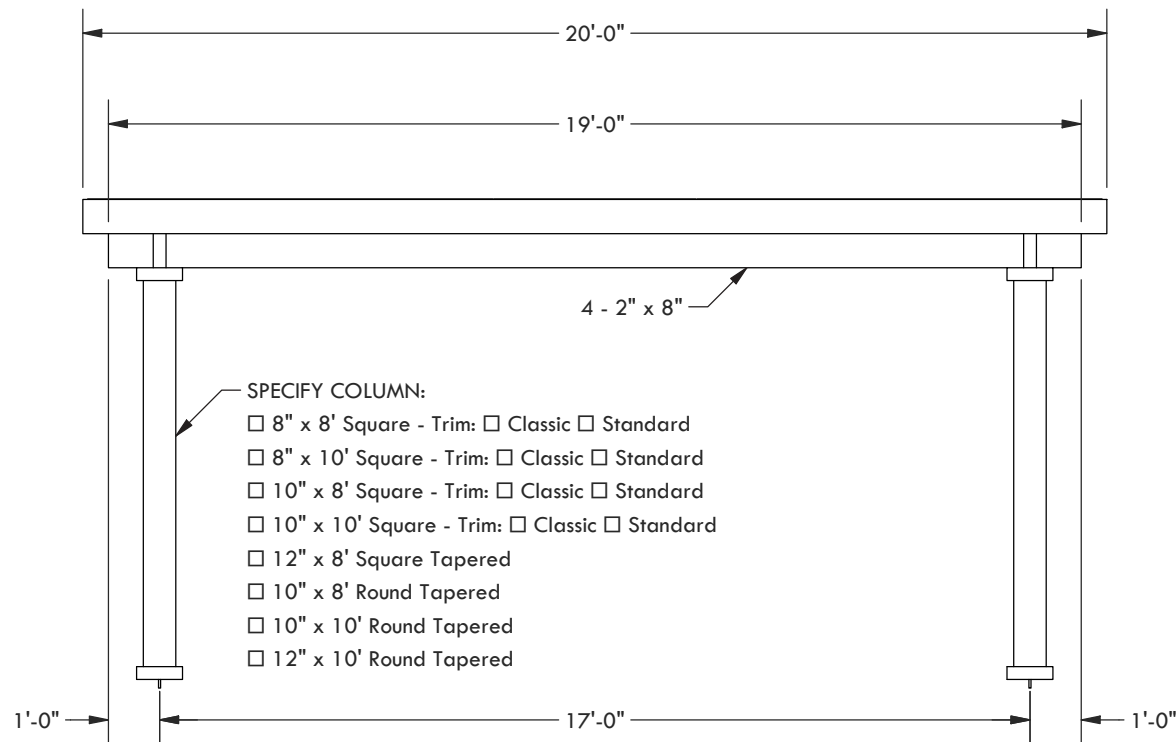
CLASSIC TRIM STANDARD TRIM



CONCRETE MOUNT



THROUGH BOLT MOUNT



DESCRIPTION			
20' Wide x 16' Projection Freestanding Solare			
REV	BY	DESCRIPTION	DATE
	SP	INITIAL RELEASE	08/10/23

© 2023 Structureworks

STRUCTUREWORKSTM

www.structureworks.com 877.489.8064