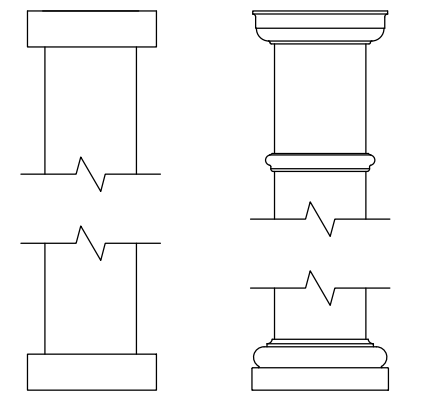
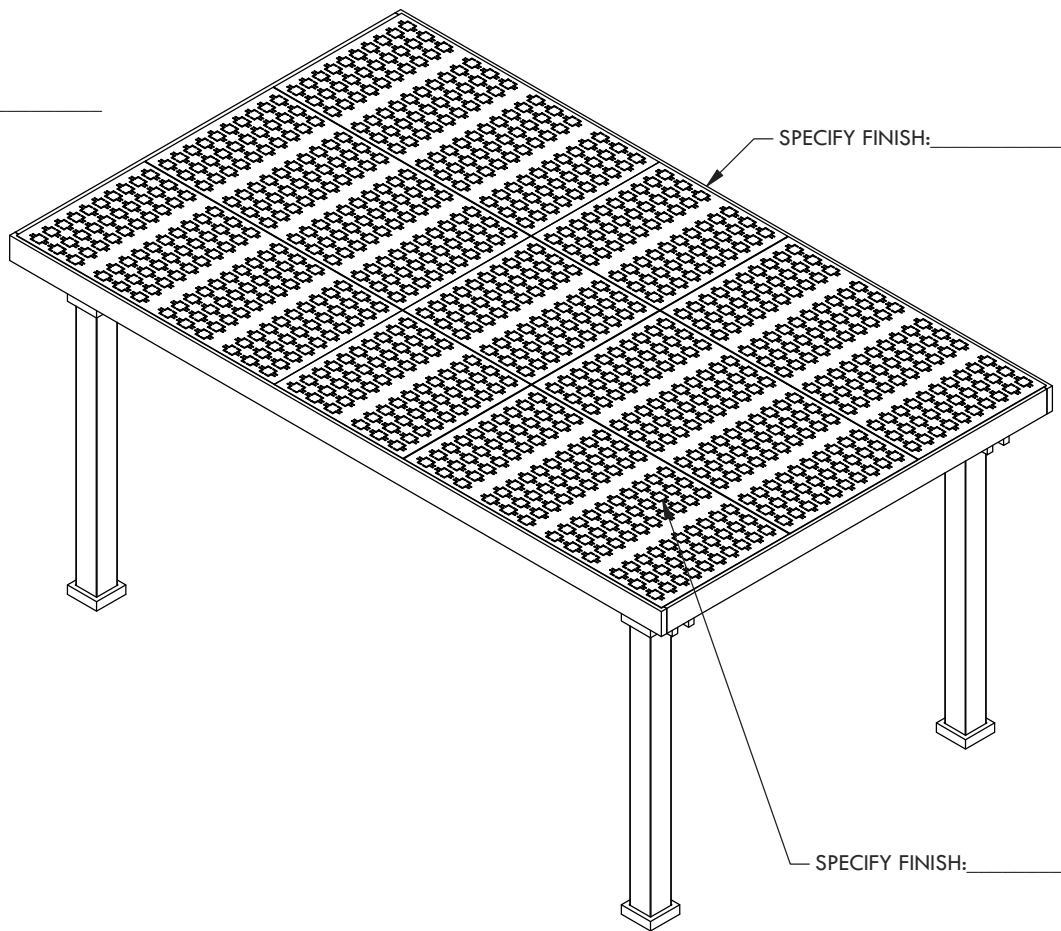
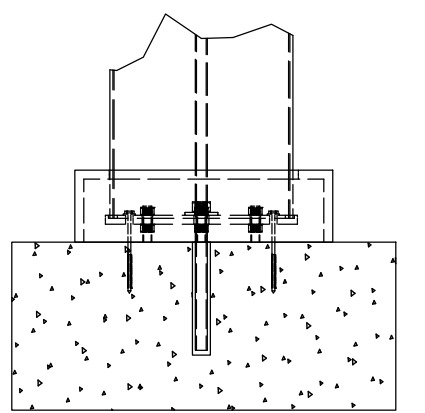


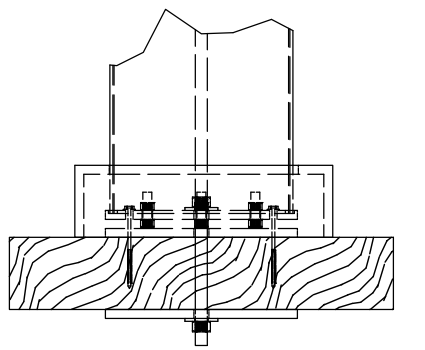
SPECIFY PATTERN:



CLASSIC TRIM STANDARD TRIM

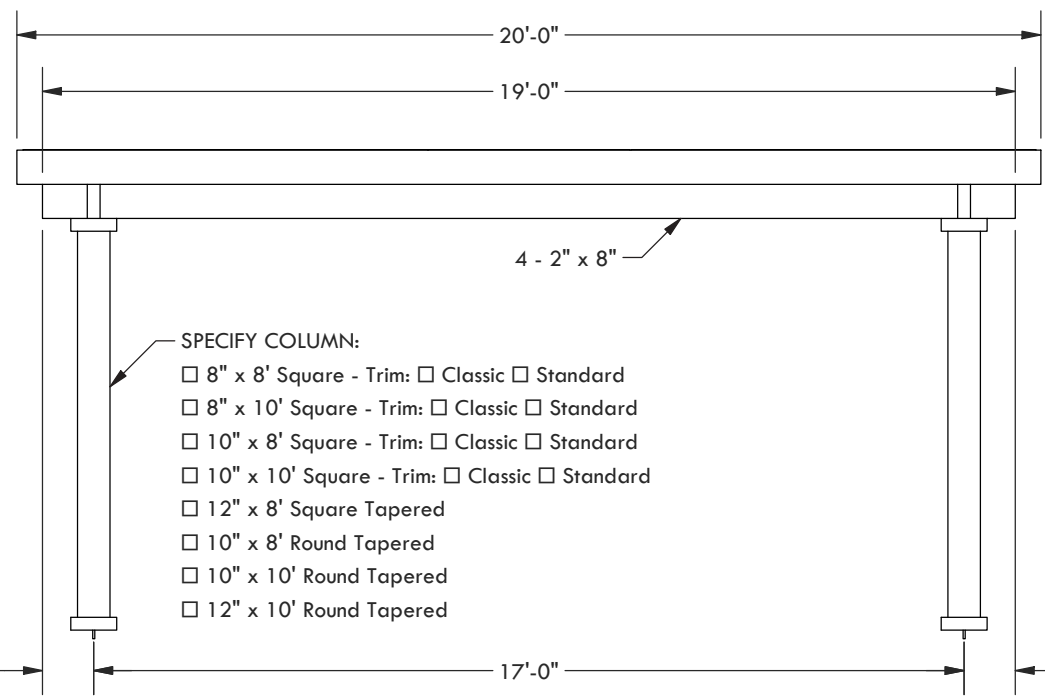


CONCRETE MOUNT



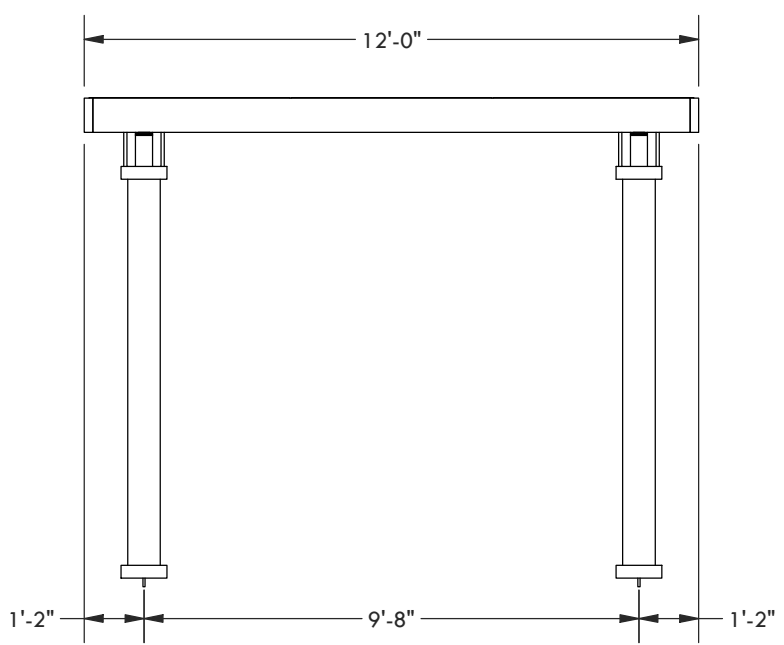
THROUGH BOLT MOUNT

13 - 2" x 8"



SPECIFY COLUMN:

- 8" x 8' Square - Trim: Classic Standard
- 8" x 10' Square - Trim: Classic Standard
- 10" x 8' Square - Trim: Classic Standard
- 10" x 10' Square - Trim: Classic Standard
- 12" x 8' Square Tapered
- 10" x 8' Round Tapered
- 10" x 10' Round Tapered
- 12" x 10' Round Tapered



DESCRIPTION			
20' Wide x 12' Projection Freestanding Solare			
REV	BY	DESCRIPTION	DATE
	SP	INITIAL RELEASE	08/10/23

© 2023 Structureworks

STRUCTUREWORKS™

www.structureworks.com 877.489.8064