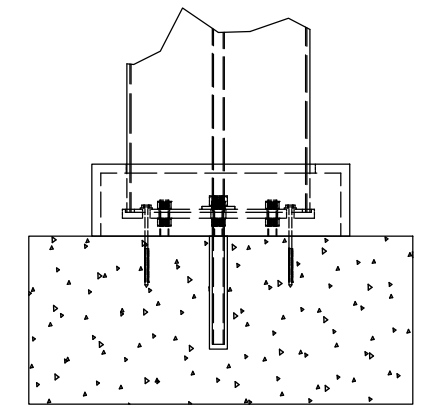
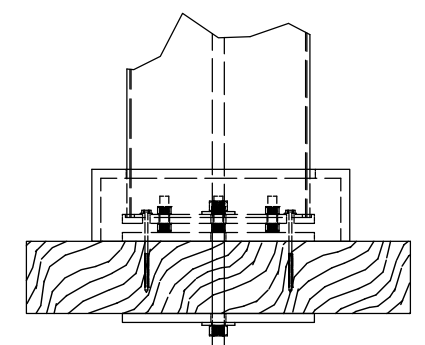


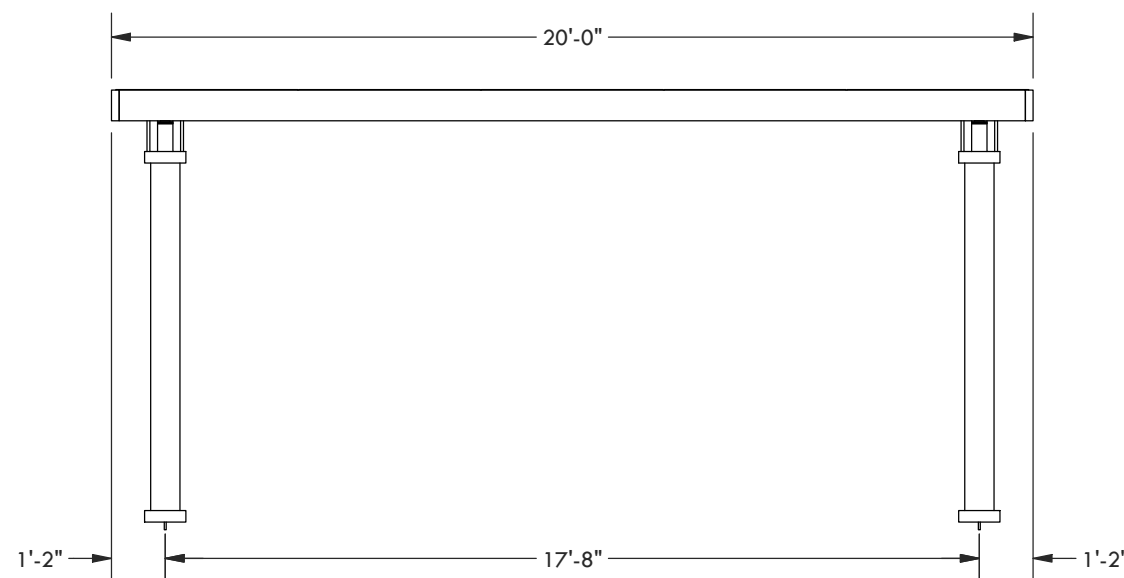
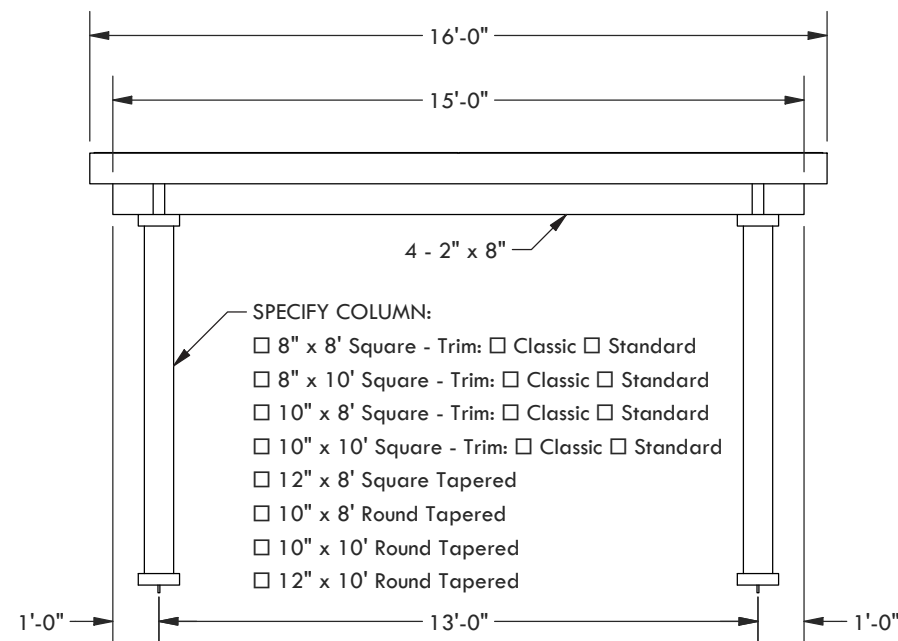
CLASSIC TRIM      STANDARD TRIM



CONCRETE MOUNT



THROUGH BOLT MOUNT



DESCRIPTION			
<b>16' Wide x 20' Projection Freestanding Solare</b>			
REV	BY	DESCRIPTION	DATE
	PR	INITIAL RELEASE	06/22/23

© 2023 Structureworks

**STRUCTUREWORKS**™

www.structureworks.com 877.489.8064