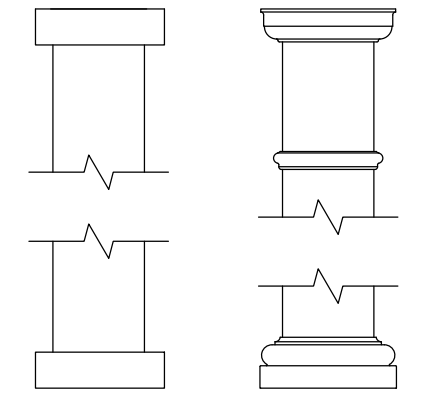
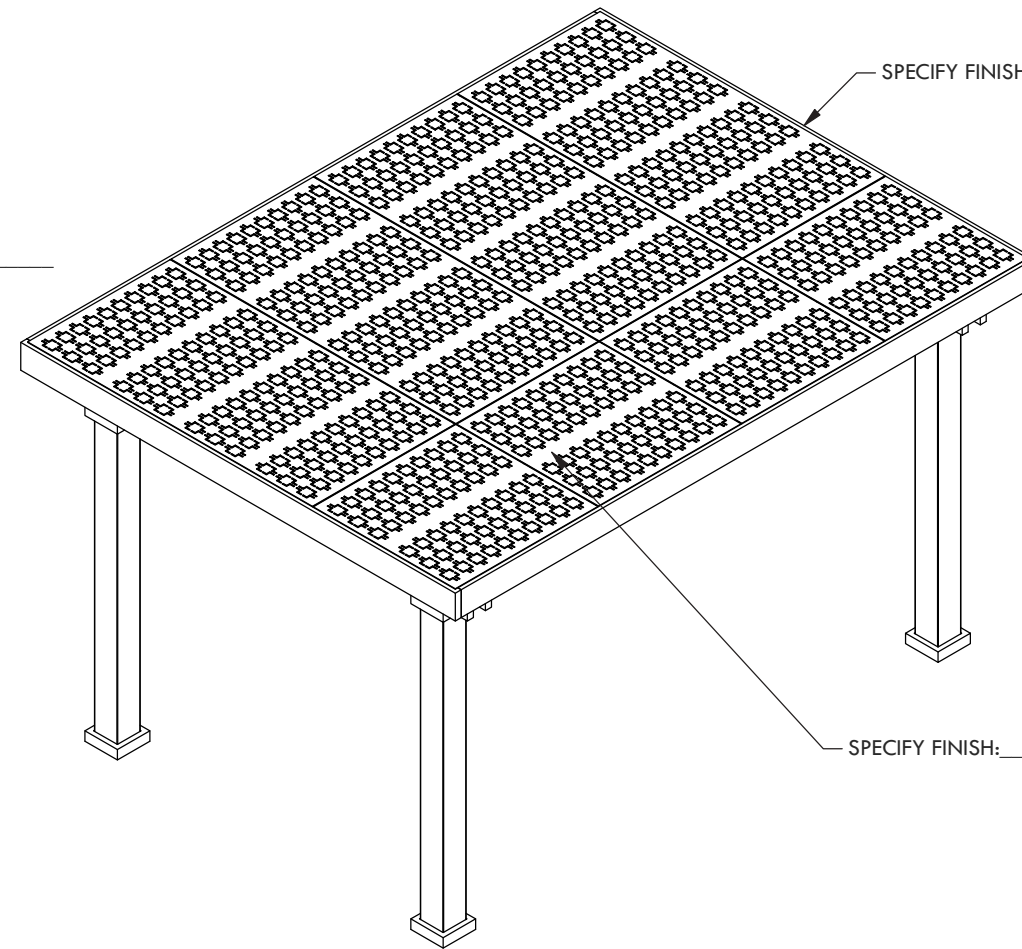
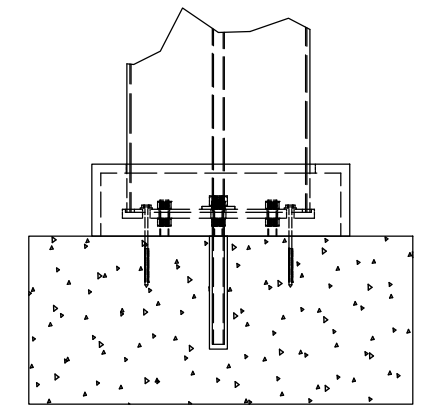


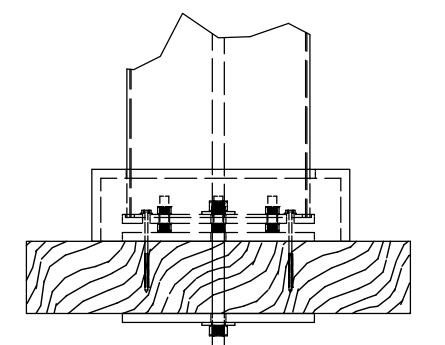
SPECIFY PATTERN:



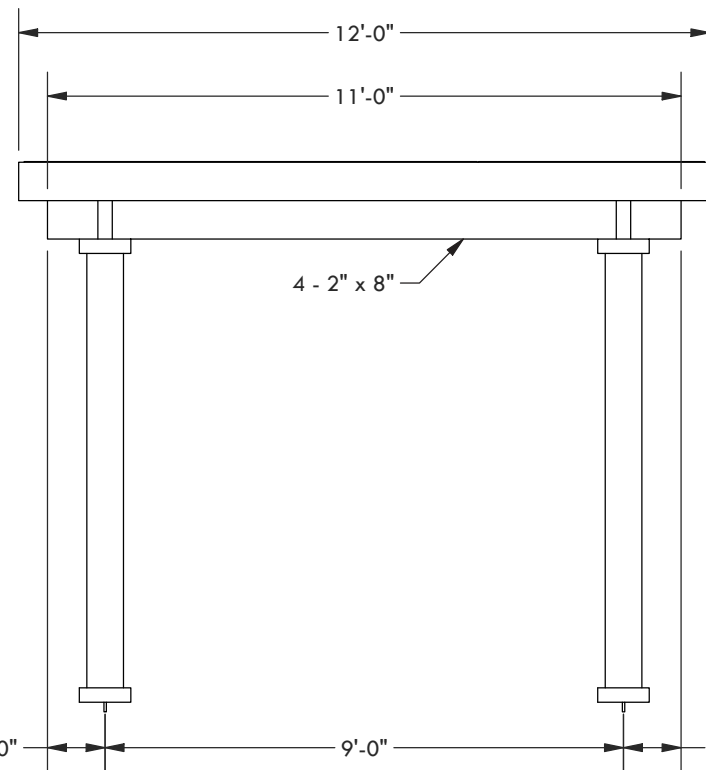
CLASSIC TRIM      STANDARD TRIM



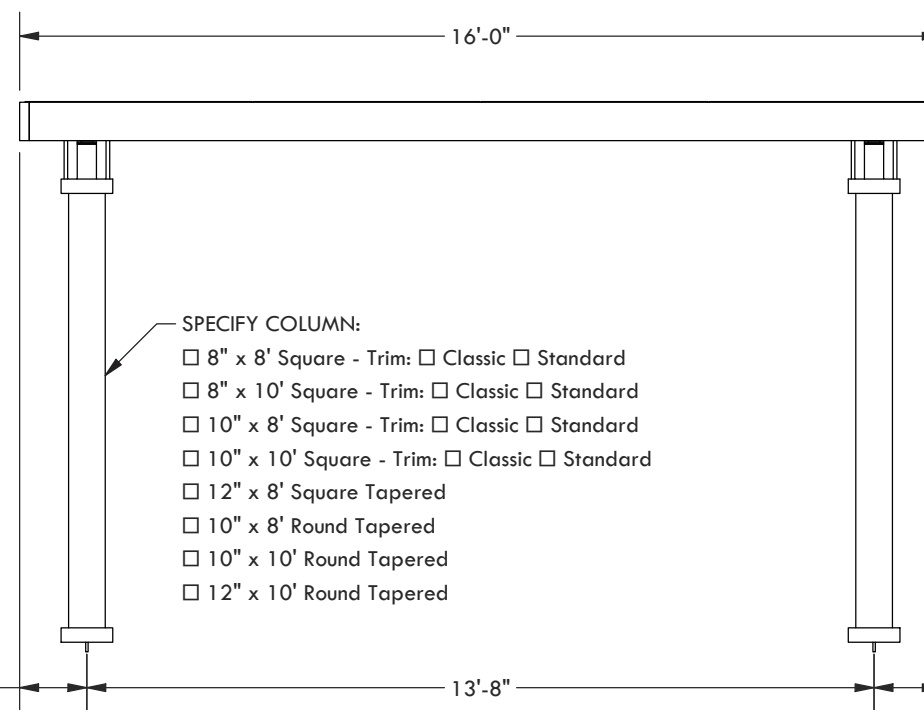
CONCRETE MOUNT



THROUGH BOLT MOUNT



4 - 2" x 8"



SPECIFY COLUMN:

- 8" x 8" Square - Trim:  Classic  Standard
- 8" x 10" Square - Trim:  Classic  Standard
- 10" x 8" Square - Trim:  Classic  Standard
- 10" x 10" Square - Trim:  Classic  Standard
- 12" x 8" Square Tapered
- 10" x 8" Round Tapered
- 10" x 10" Round Tapered
- 12" x 10" Round Tapered

© 2023 Structureworks

DESCRIPTION			
<b>12' Wide x 16' Projection Freestanding Solare</b>			
REV	BY	DESCRIPTION	DATE
	SP	INITIAL RELEASE	08/10/23

**STRUCTUREWORKS**<sup>TM</sup>

www.structureworks.com 877.489.8064