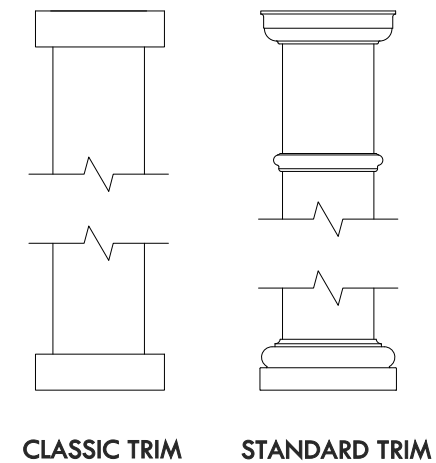
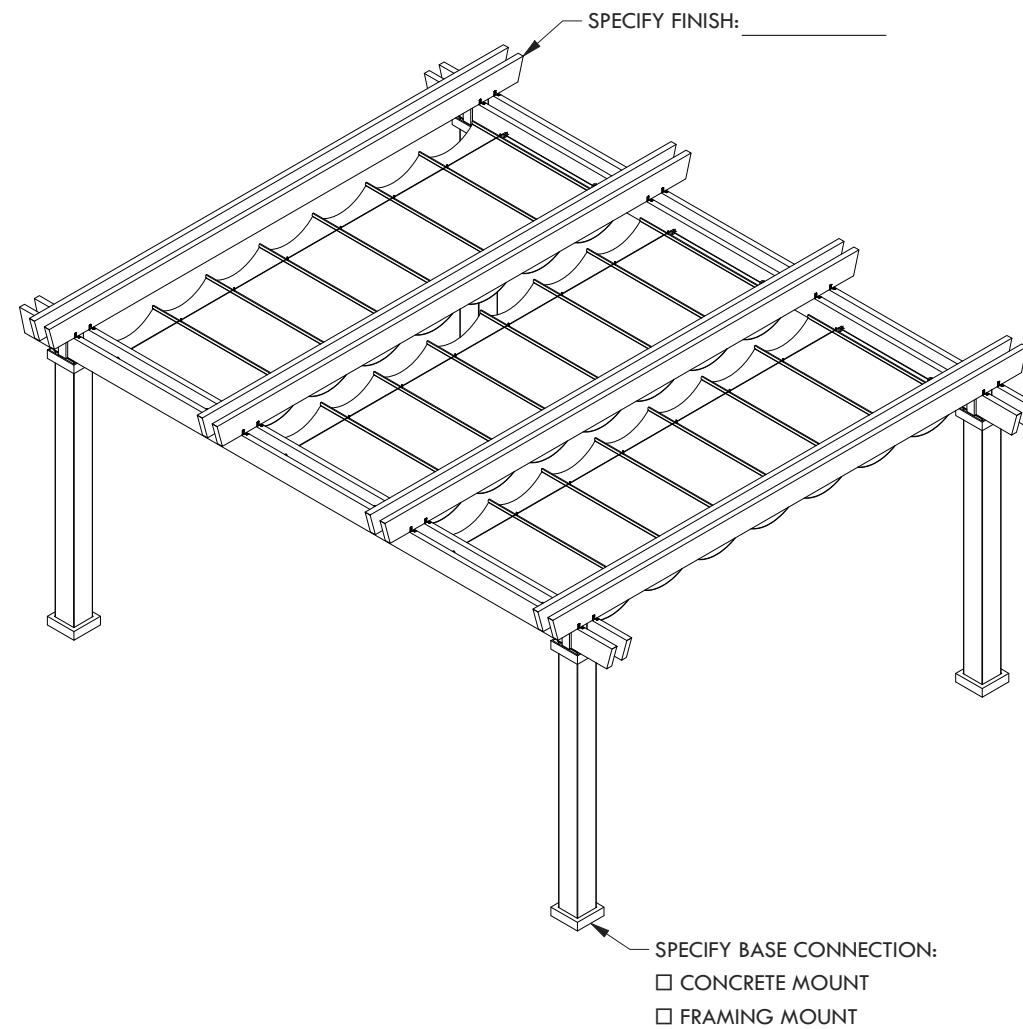
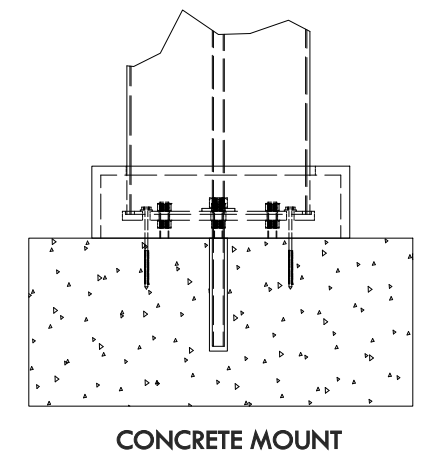


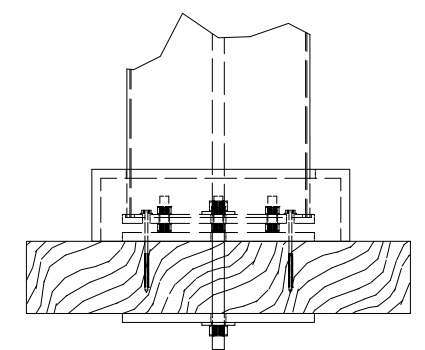
- SPECIFY FABRIC:
- WHITE
 - STUCCO
 - LEMON YELLOW
 - GARDEN GREEN
 - METALLICA PLATINUM
 - METALLICA SMOKE
 - DUPIONI POOLSIDE
 - DUPIONI SAPPHIRE



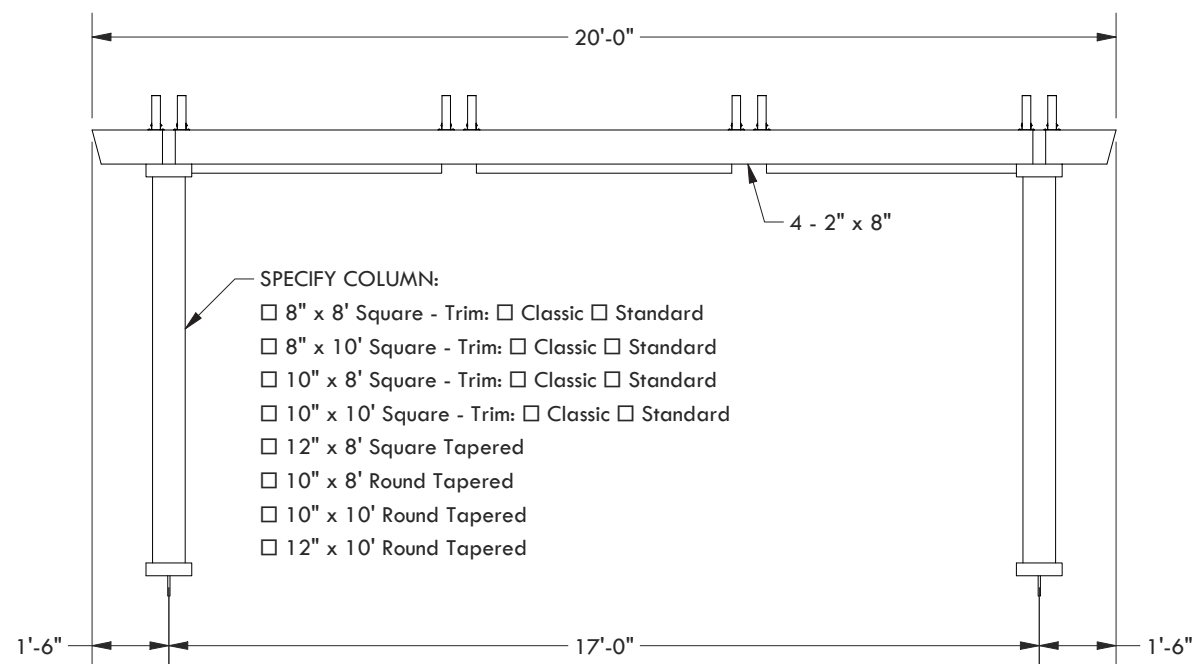
CLASSIC TRIM STANDARD TRIM



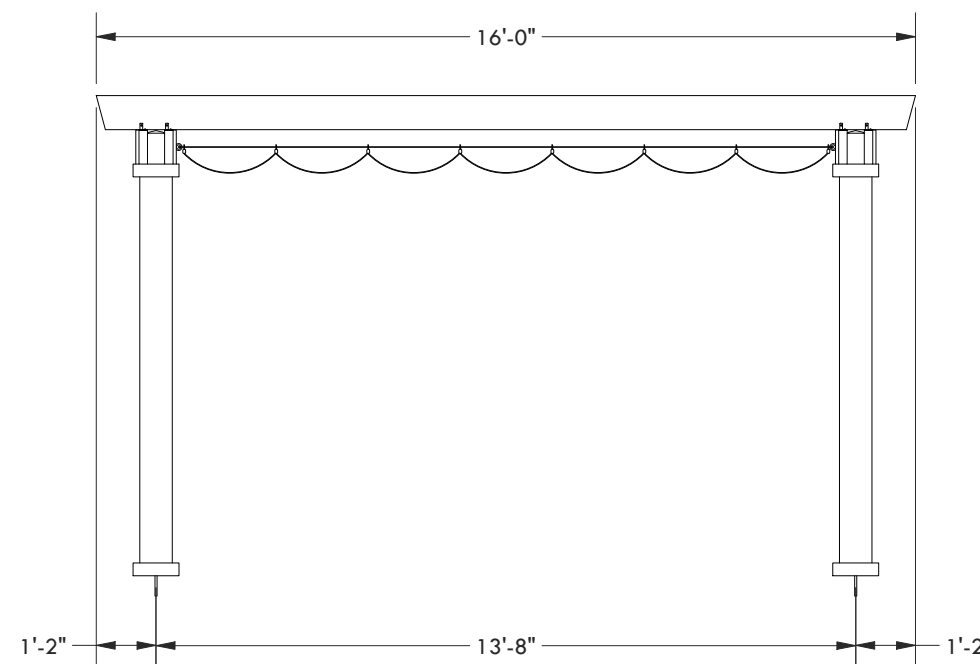
CONCRETE MOUNT



FRAMING MOUNT



- SPECIFY COLUMN:
- 8" x 8' Square - Trim: Classic Standard
 - 8" x 10' Square - Trim: Classic Standard
 - 10" x 8' Square - Trim: Classic Standard
 - 10" x 10' Square - Trim: Classic Standard
 - 12" x 8' Square Tapered
 - 10" x 8' Round Tapered
 - 10" x 10' Round Tapered
 - 12" x 10' Round Tapered



DESCRIPTION			
20' WIDE X 16' PROJECTION FREESTANDING PLAYA			
REV	BY	DESCRIPTION	DATE
	NB	INITIAL RELEASE	01/01/23

© 2023 Structureworks

STRUCTUREWORKS™

www.structureworks.com 877.489.8064