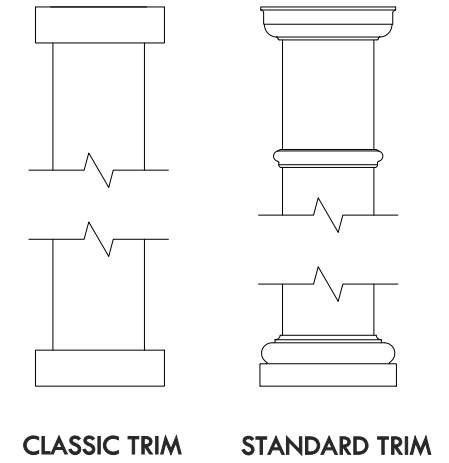
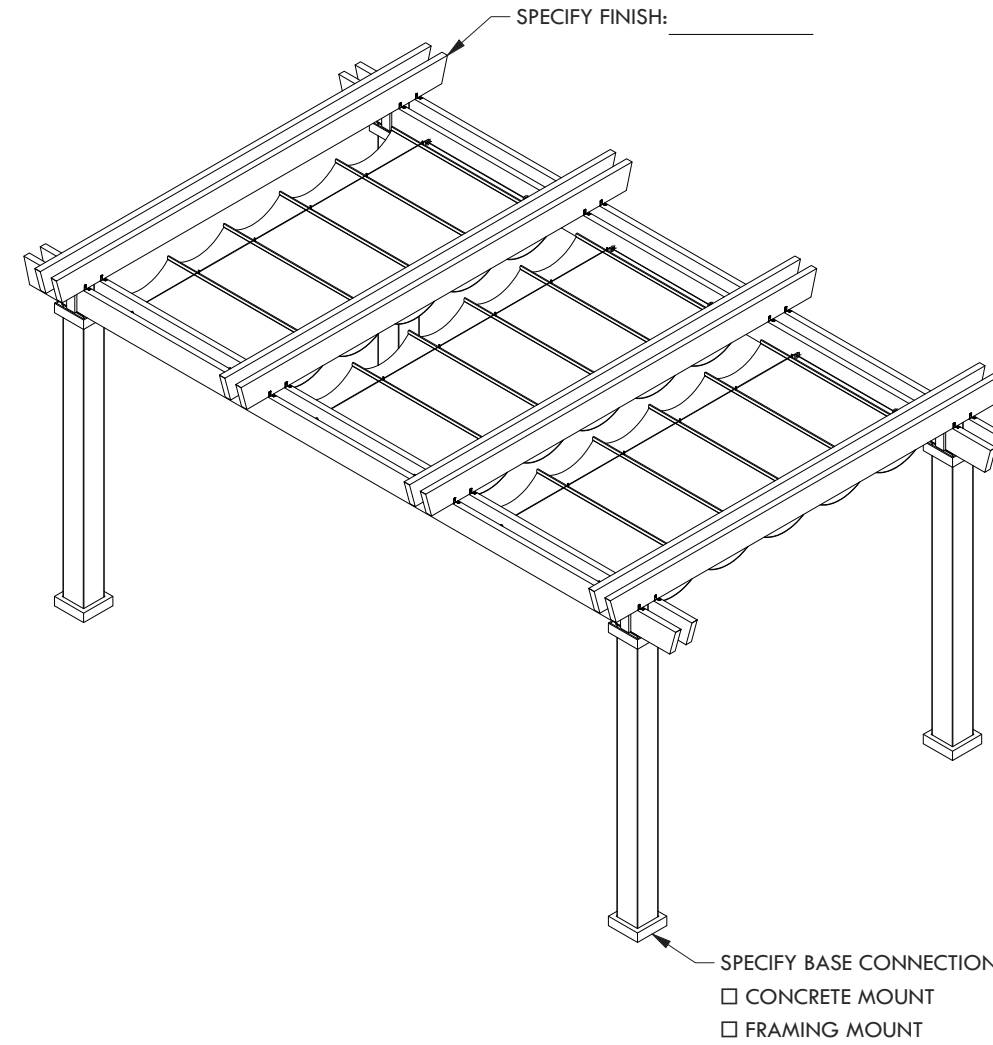
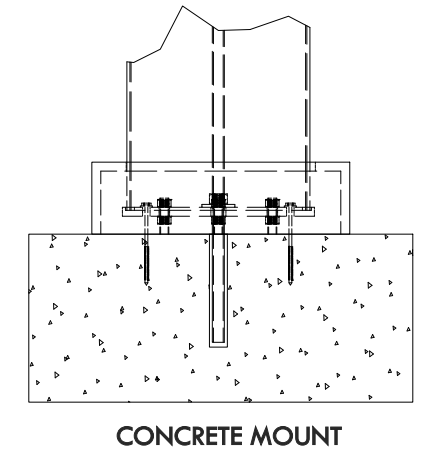


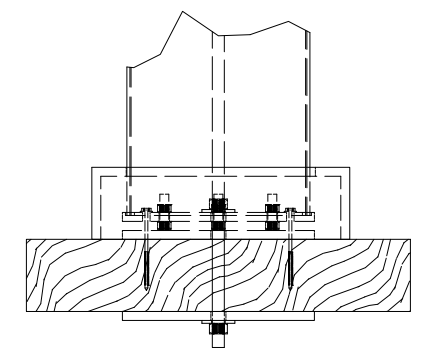
- SPECIFY FABRIC:
- WHITE
 - STUCCO
 - LEMON YELLOW
 - GARDEN GREEN
 - METALLICA PLATINUM
 - METALLICA SMOKE
 - DUPIONI POOLSIDE
 - DUPIONI SAPPHIRE



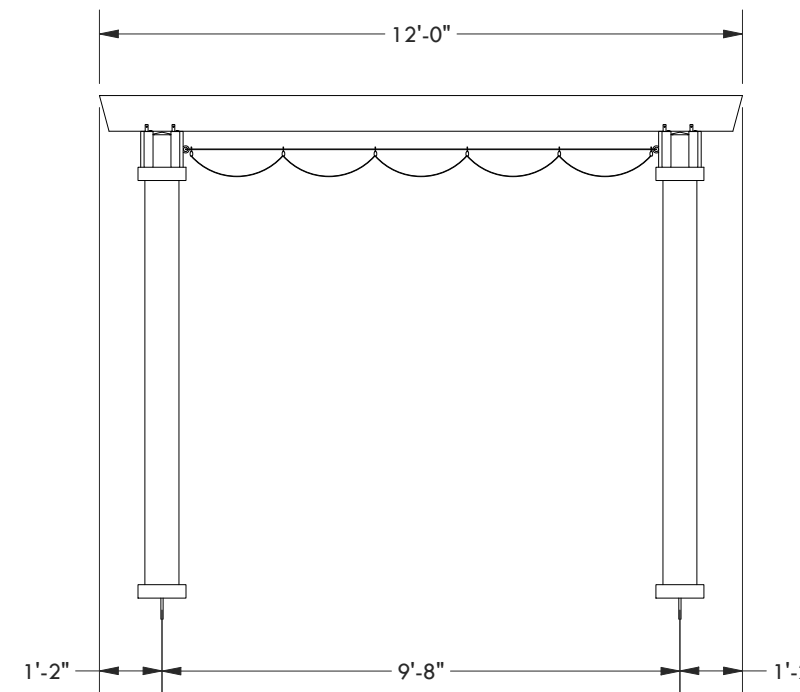
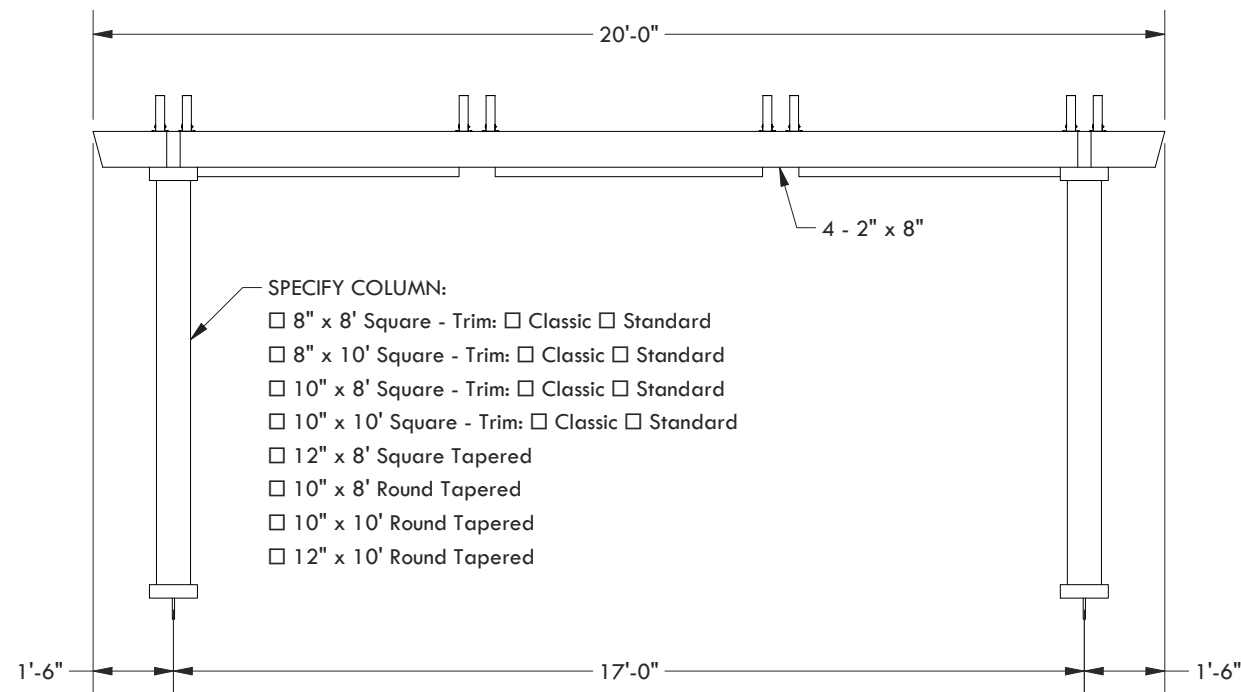
CLASSIC TRIM STANDARD TRIM



CONCRETE MOUNT



FRAMING MOUNT



DESCRIPTION			
20' WIDE X 12' PROJECTION FREESTANDING PLAYA			
REV	BY	DESCRIPTION	DATE
	NB	INITIAL RELEASE	01/01/23

STRUCTUREWORKS™
www.structureworks.com 877.489.8064

© 2023 Structureworks