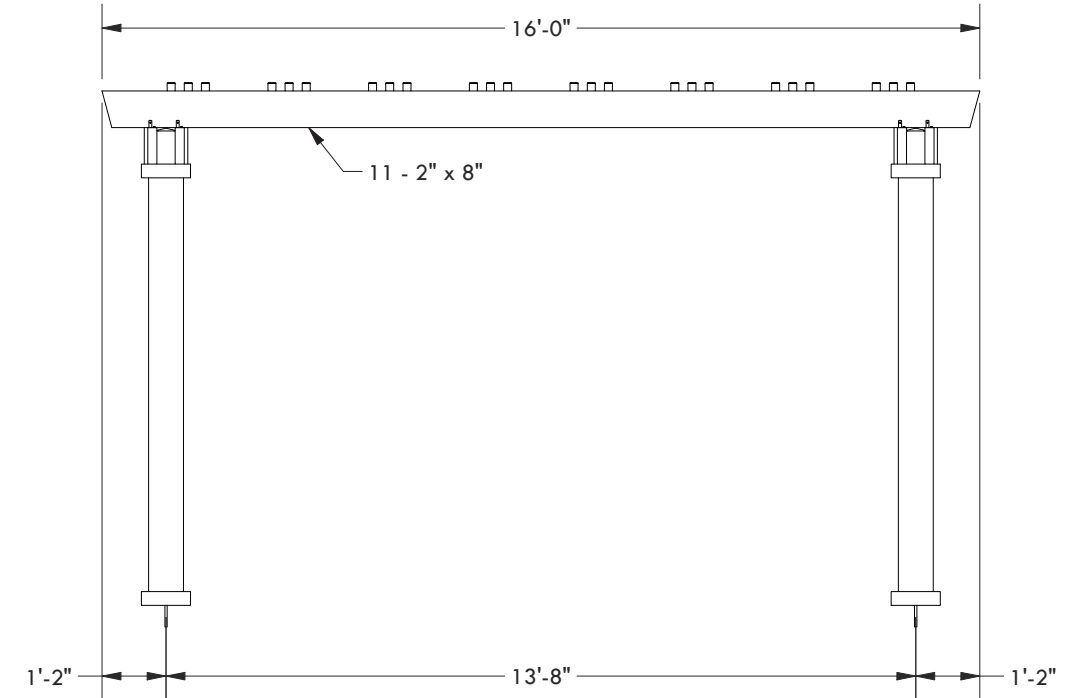
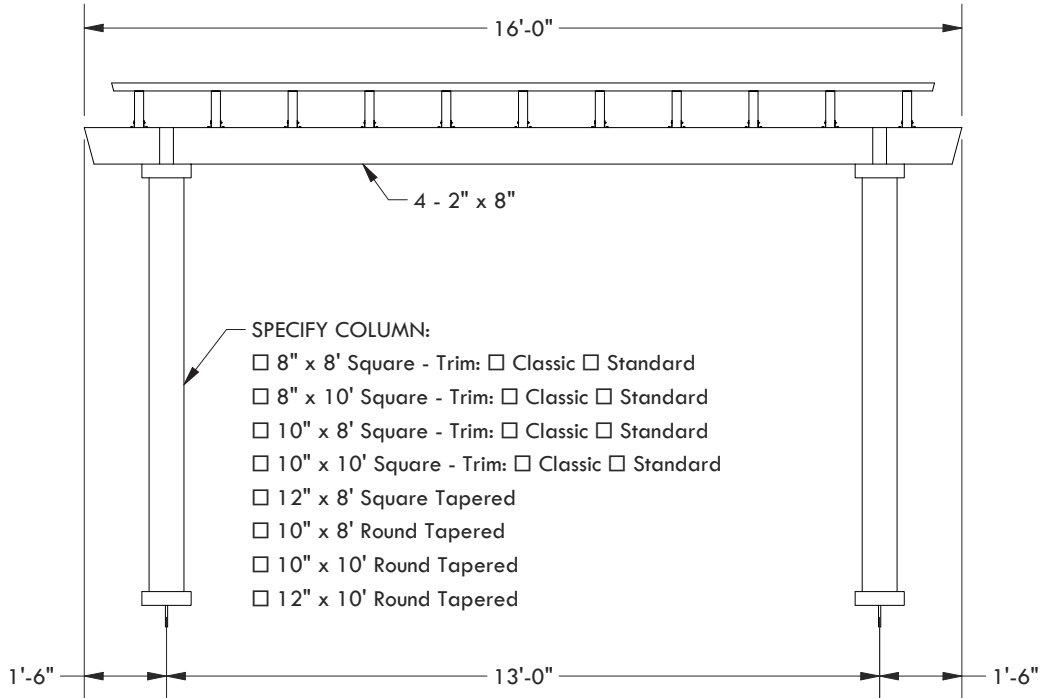
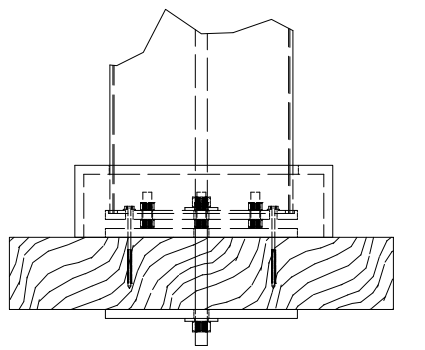
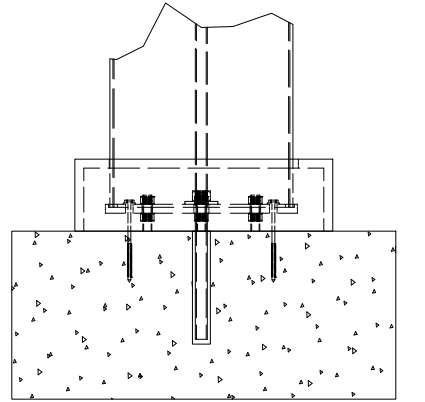


SPECIFY BASE CONNECTION:  
 CONCRETE MOUNT  
 FRAMING MOUNT



DESCRIPTION			
<b>16' WIDE X 16' PROJECTION FREESTANDING OASIS</b>			
REV	BY	DESCRIPTION	DATE
	NB	INITIAL RELEASE	01/01/23

© 2023 Structureworks

**STRUCTUREWORKS™**

www.structureworks.com 877.489.8064