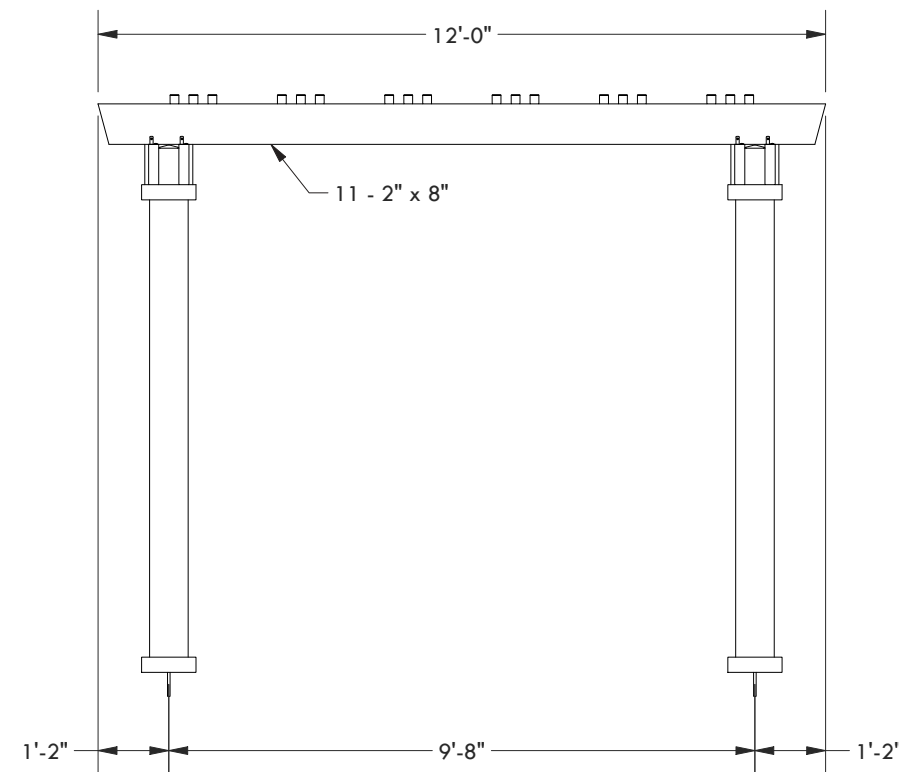
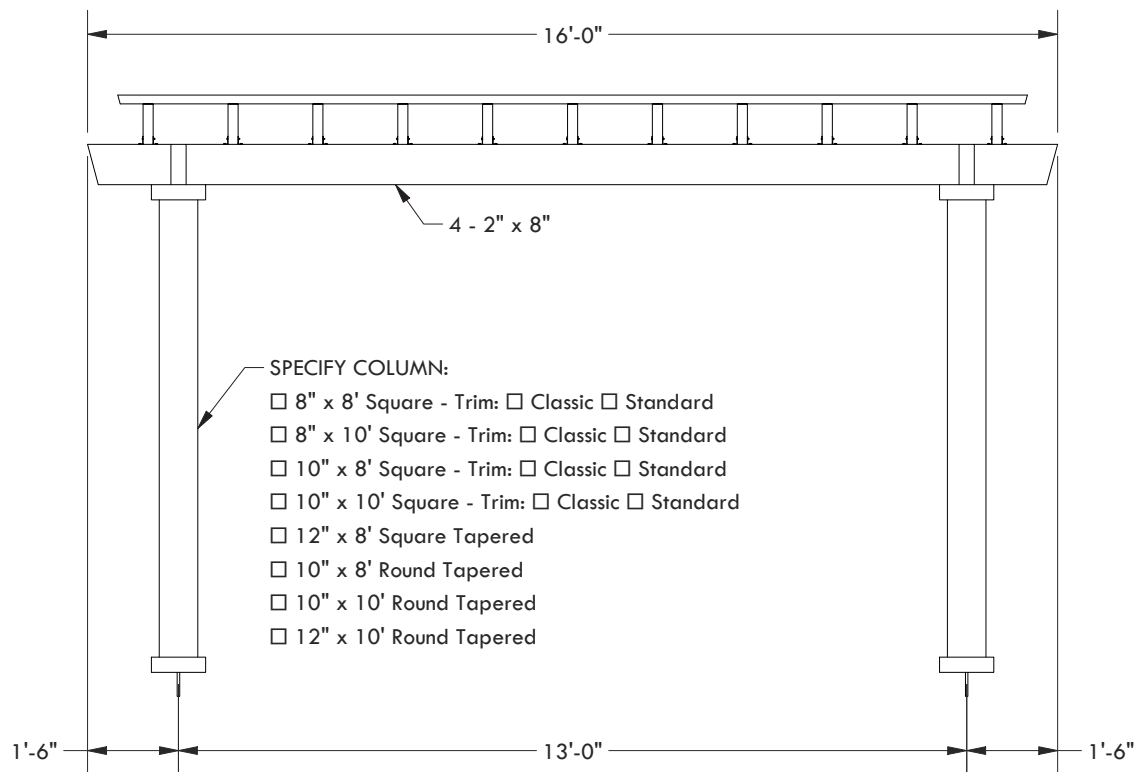
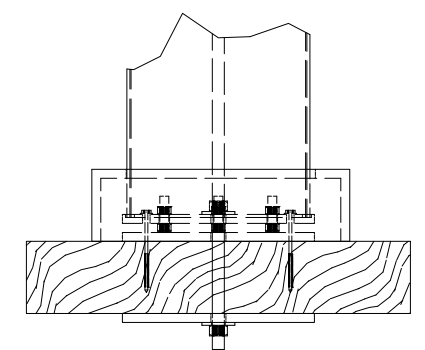
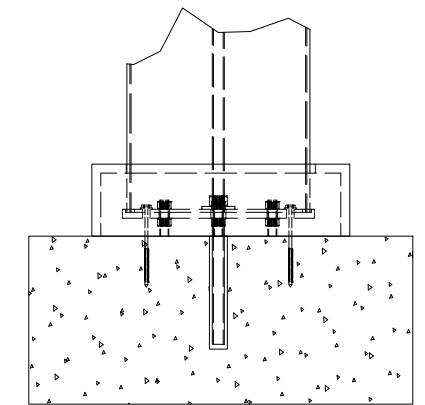


SPECIFY BASE CONNECTION:
 CONCRETE MOUNT
 FRAMING MOUNT



DESCRIPTION			
16' WIDE X 12' PROJECTION FREESTANDING OASIS			
REV	BY	DESCRIPTION	DATE
	NB	INITIAL RELEASE	01/01/23
STRUCTUREWORKS™			
www.structureworks.com 877.489.8064			

© 2023 Structureworks