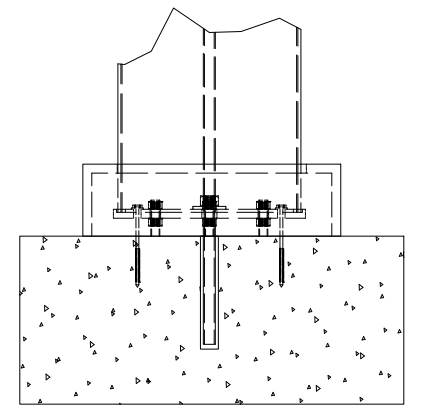
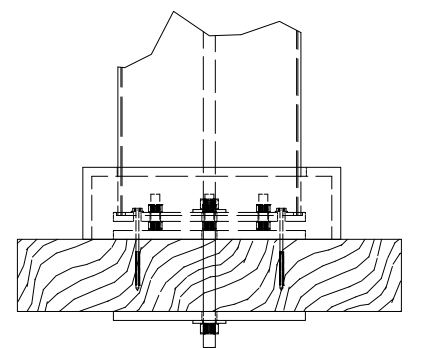


CLASSIC TRIM STANDARD TRIM

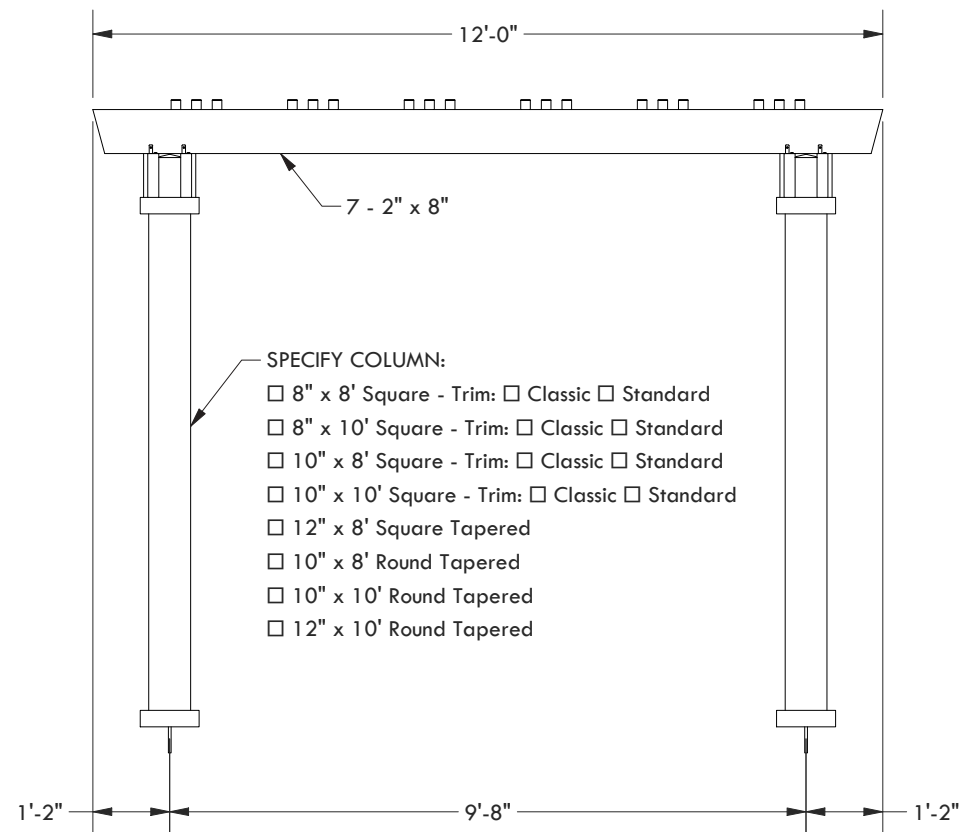
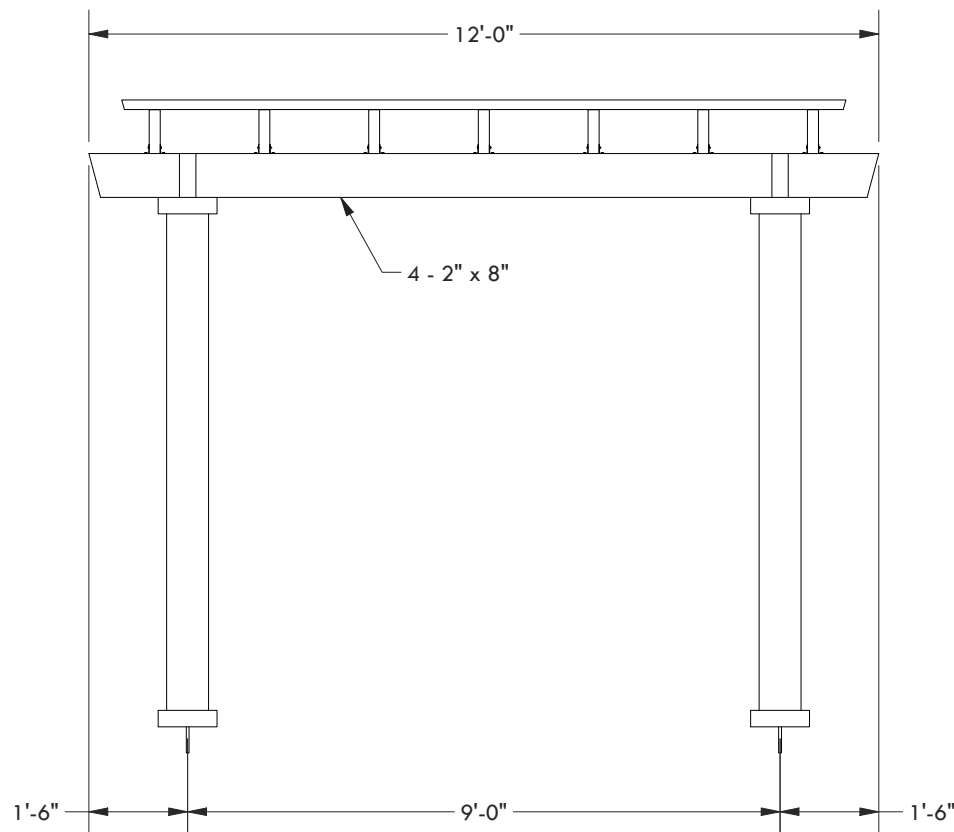
- SPECIFY BASE CONNECTION:
- CONCRETE MOUNT
 - FRAMING MOUNT



CONCRETE MOUNT



FRAMING MOUNT



DESCRIPTION			
12' WIDE X 12' PROJECTION FREESTANDING OASIS			
REV	BY	DESCRIPTION	DATE
	NB	INITIAL RELEASE	01/01/23

© 2023 Structureworks

STRUCTUREWORKS™

www.structureworks.com 877.489.8064