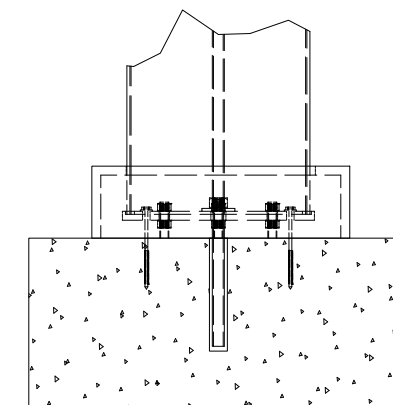
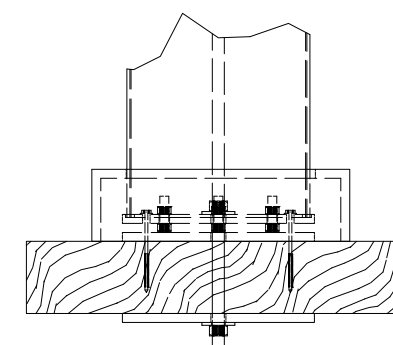


CLASSIC TRIM      STANDARD TRIM

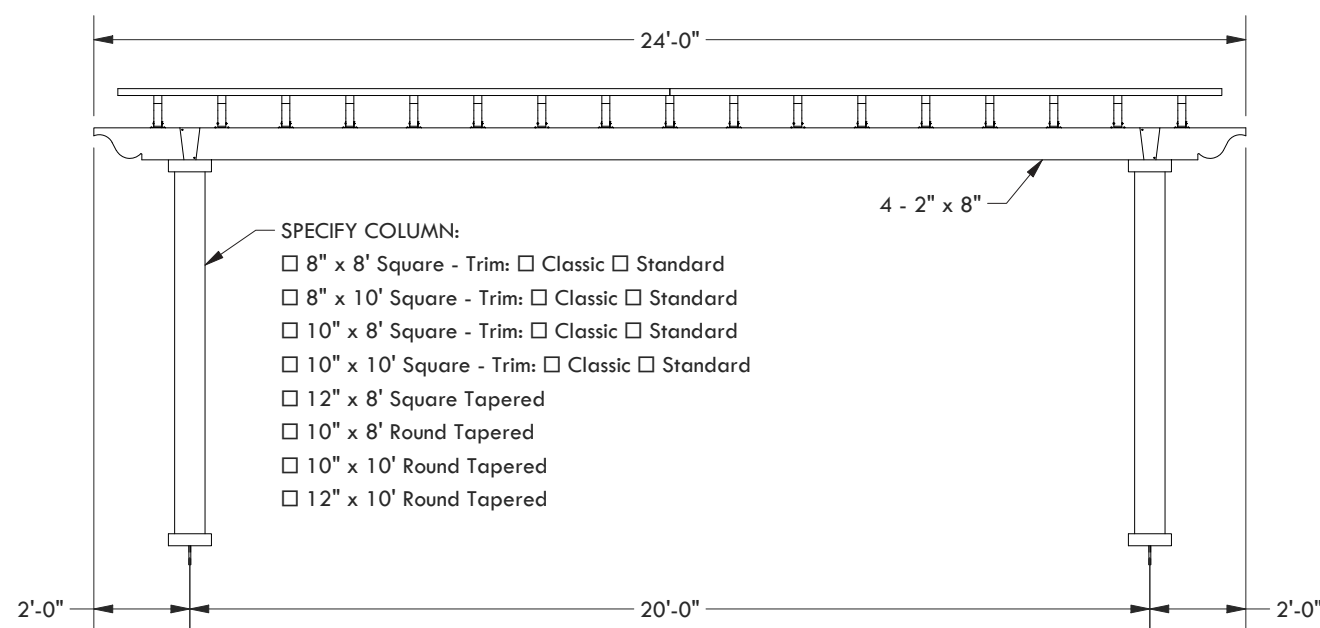
SPECIFY BASE CONNECTION:  
 CONCRETE MOUNT  
 FRAMING MOUNT



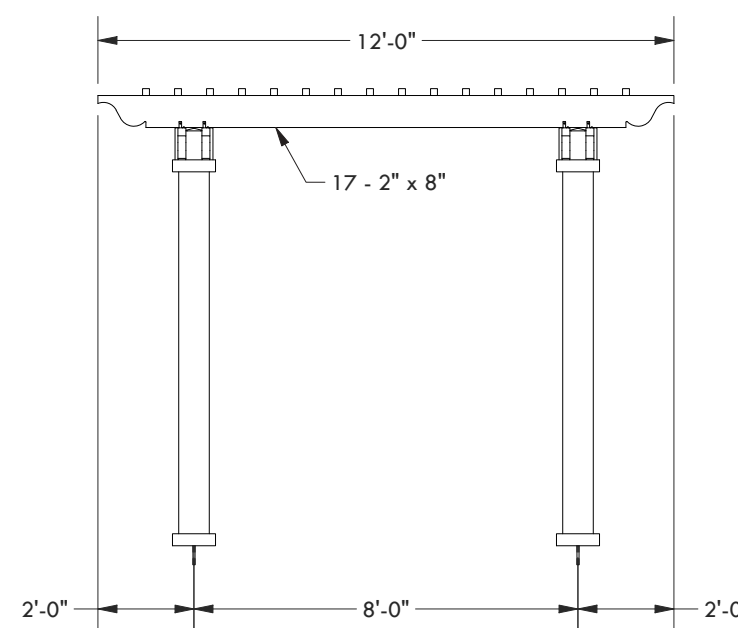
CONCRETE MOUNT



FRAMING MOUNT



- SPECIFY COLUMN:
- 8" x 8' Square - Trim:  Classic  Standard
  - 8" x 10' Square - Trim:  Classic  Standard
  - 10" x 8' Square - Trim:  Classic  Standard
  - 10" x 10' Square - Trim:  Classic  Standard
  - 12" x 8' Square Tapered
  - 10" x 8' Round Tapered
  - 10" x 10' Round Tapered
  - 12" x 10' Round Tapered



DESCRIPTION			
<b>24' WIDE X 12' PROJECTION FREESTANDING VILLA</b>			
REV	BY	DESCRIPTION	DATE
	NB	INITIAL RELEASE	01/01/23

© 2023 Structureworks

**STRUCTUREWORKS™**

www.structureworks.com 877.489.8064