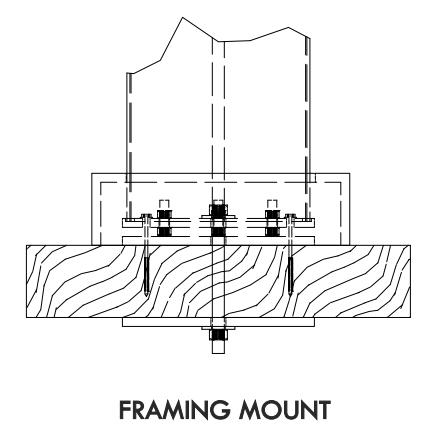
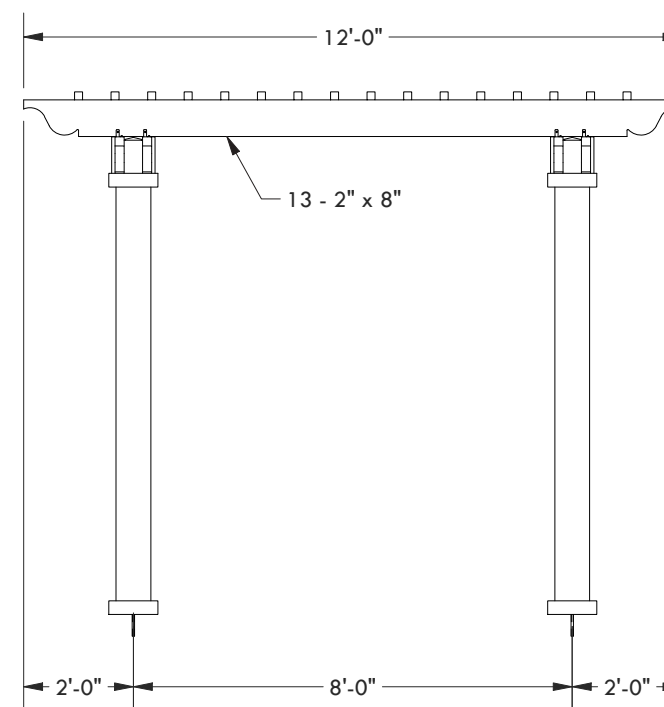
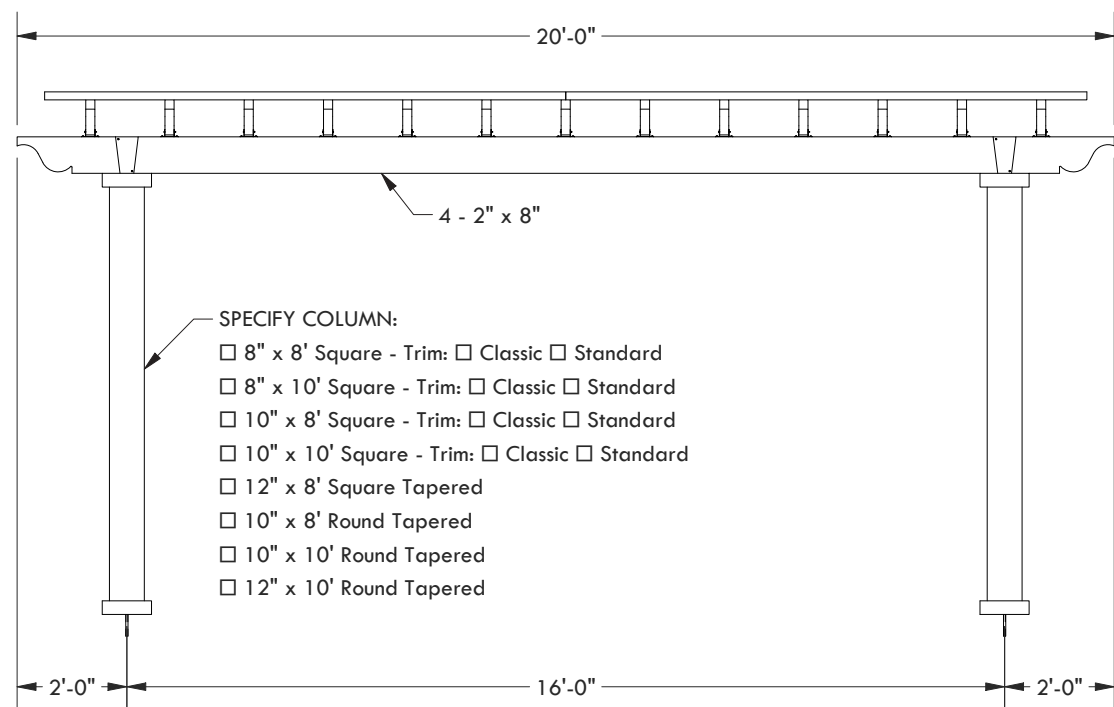
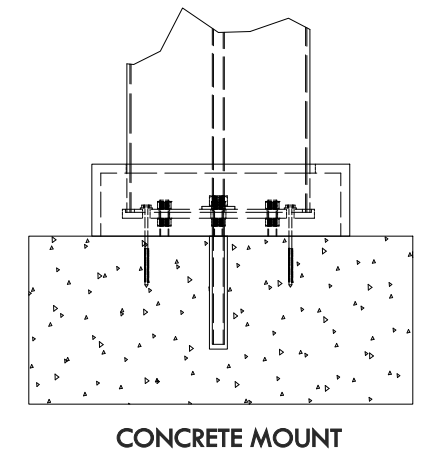


SPECIFY BASE CONNECTION:
 CONCRETE MOUNT
 FRAMING MOUNT



DESCRIPTION			
20' WIDE X 12' PROJECTION FREESTANDING VILLA			
REV	BY	DESCRIPTION	DATE
	NB	INITIAL RELEASE	01/01/23

© 2023 Structureworks

STRUCTUREWORKSTM

www.structureworks.com 877.489.8064