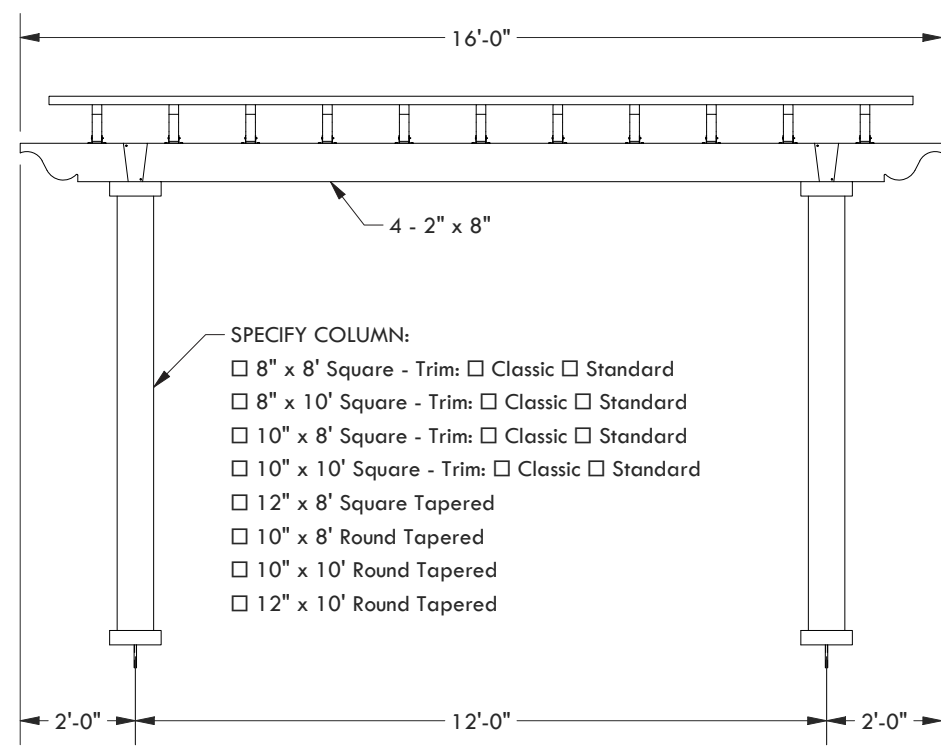
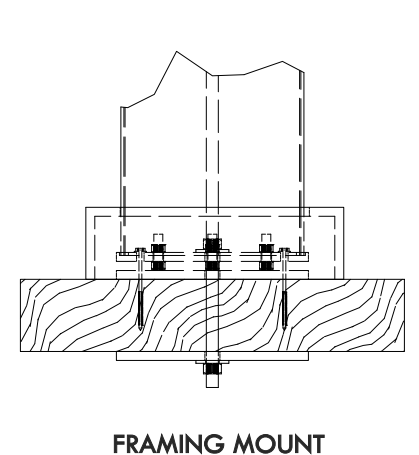
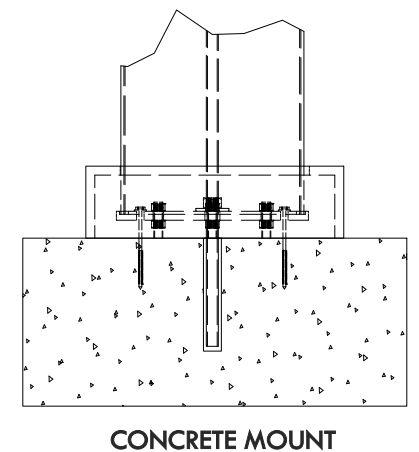
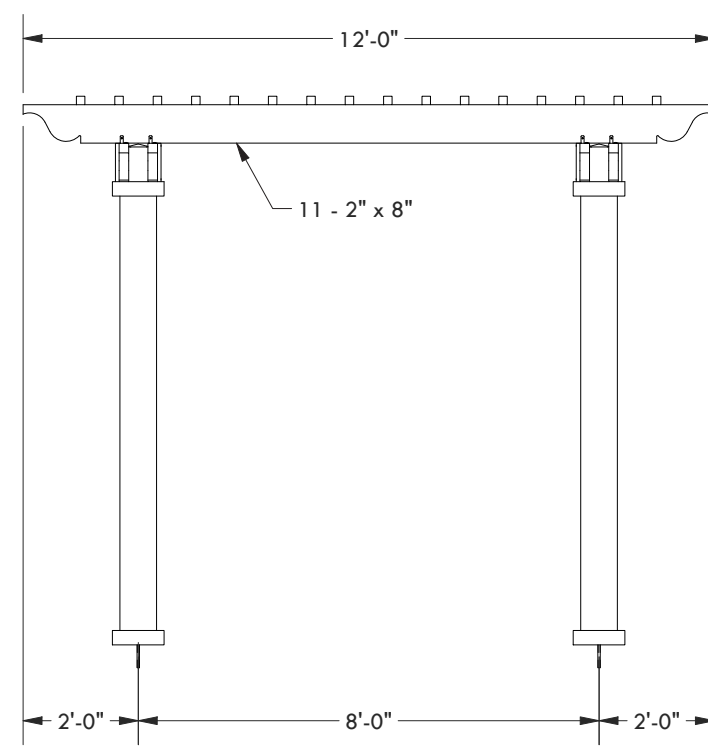


SPECIFY BASE CONNECTION:
 CONCRETE MOUNT
 FRAMING MOUNT



- SPECIFY COLUMN:
- 8" x 8' Square - Trim: Classic Standard
 - 8" x 10' Square - Trim: Classic Standard
 - 10" x 8' Square - Trim: Classic Standard
 - 10" x 10' Square - Trim: Classic Standard
 - 12" x 8' Square Tapered
 - 10" x 8' Round Tapered
 - 10" x 10' Round Tapered
 - 12" x 10' Round Tapered



© 2023 Structureworks

DESCRIPTION			
16' WIDE X 12' PROJECTION FREESTANDING VILLA			
REV	BY	DESCRIPTION	DATE
	NB	INITIAL RELEASE	01/01/23

STRUCTUREWORKS™
 www.structureworks.com 877.489.8064