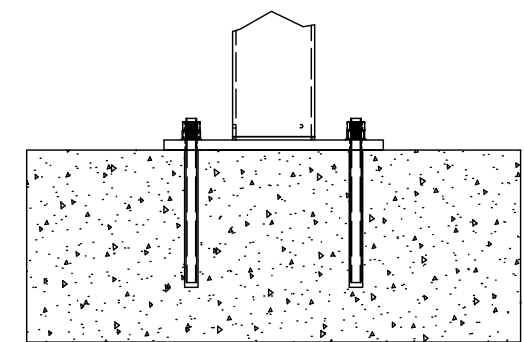
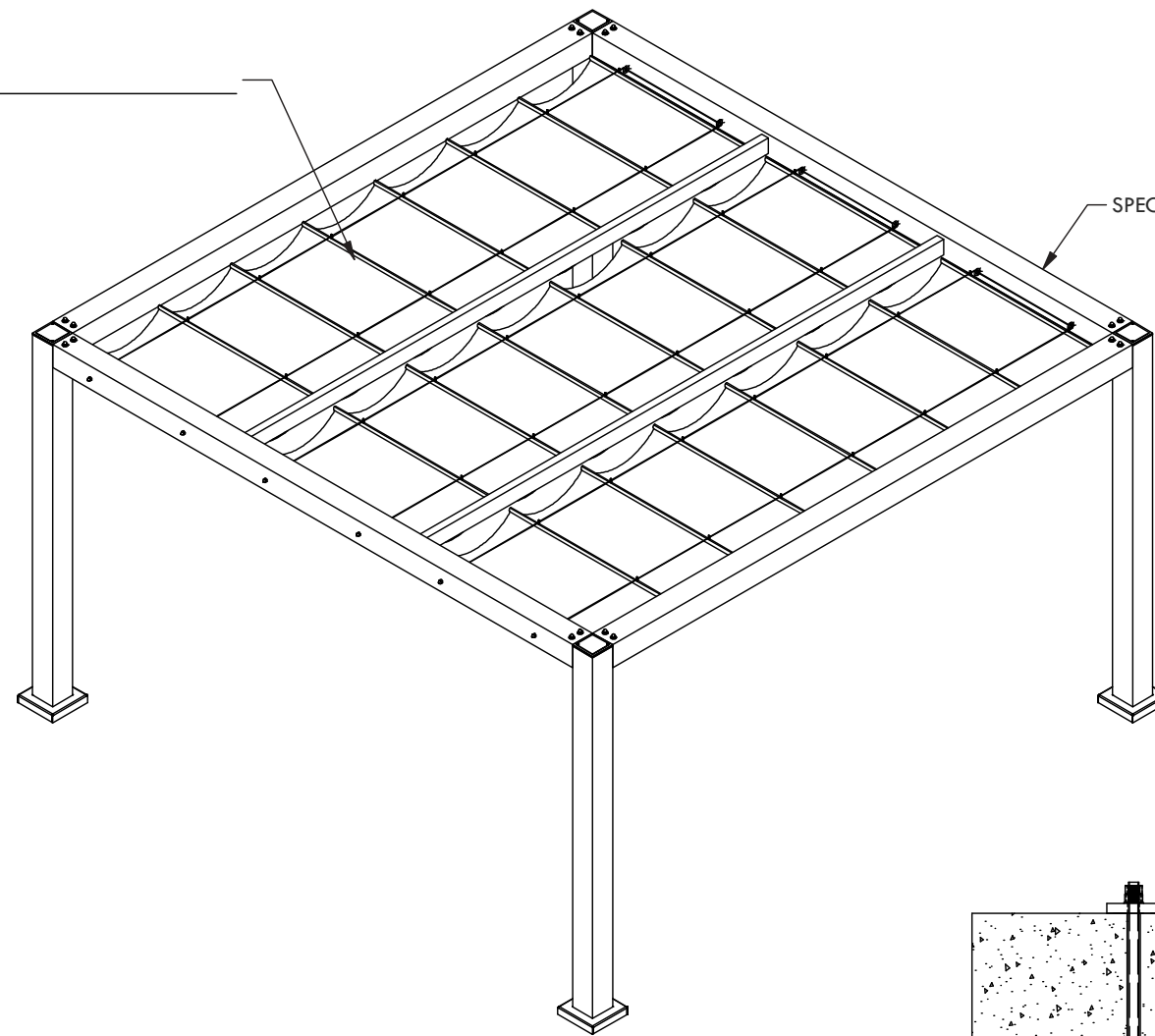
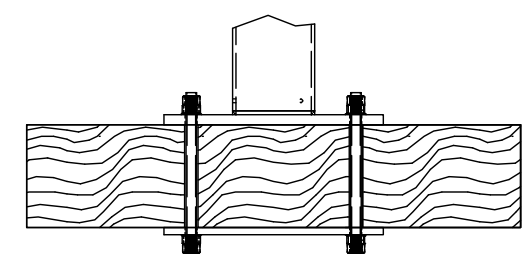


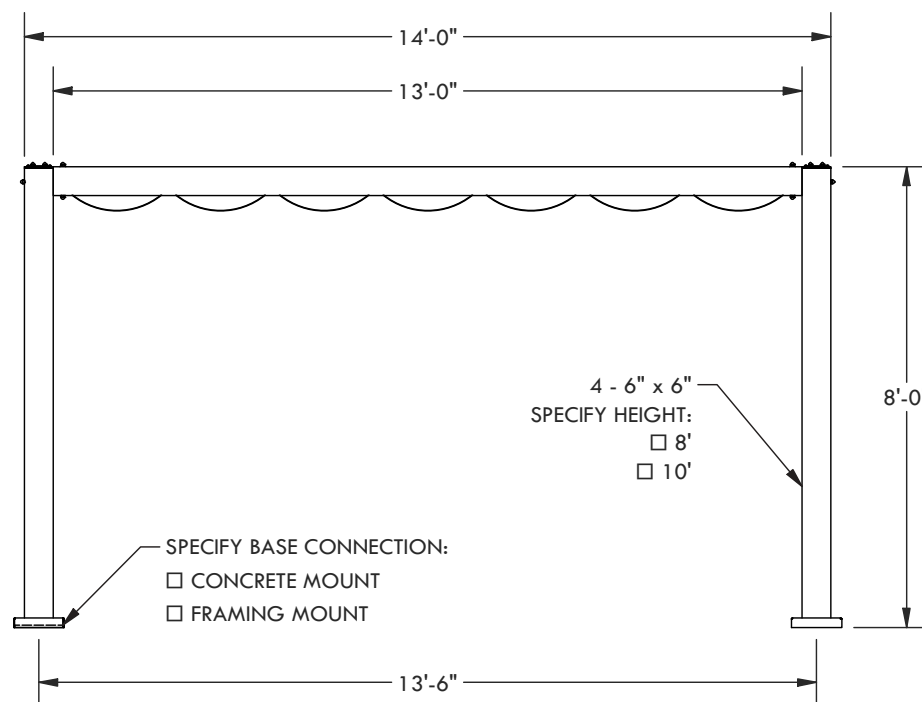
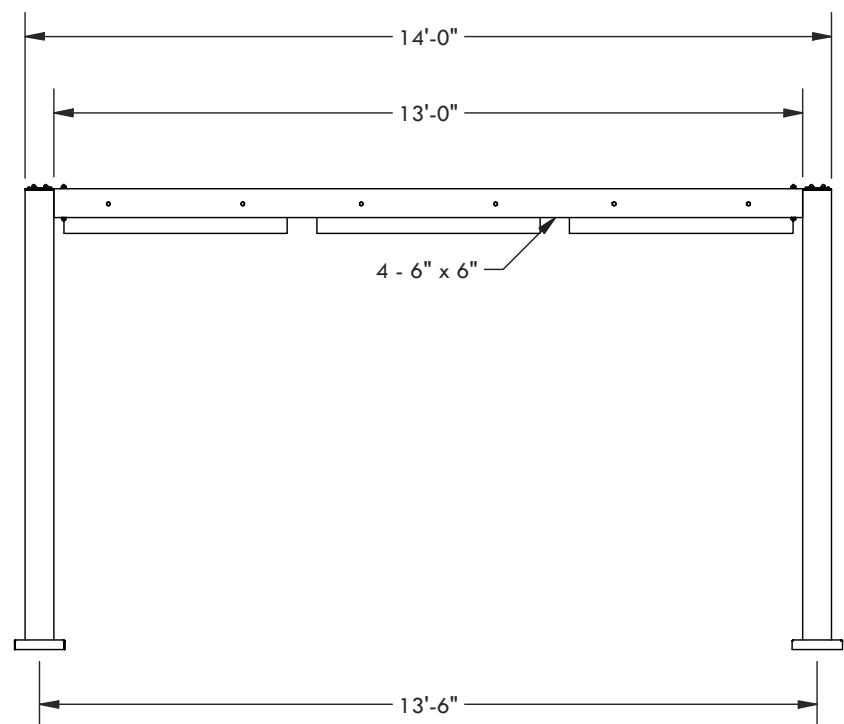
SPECIFY FABRIC:



CONCRETE MOUNT



FRAMING MOUNT



DESCRIPTION			
<b>14' WIDE X 14' PROJECTION FREESTANDING BREEZE</b>			
REV	BY	DESCRIPTION	DATE
	PR	INITIAL RELEASE	3/9/2023

© 2023 Structureworks

**STRUCTUREWORKS™**

www.structureworks.com 877.489.8064