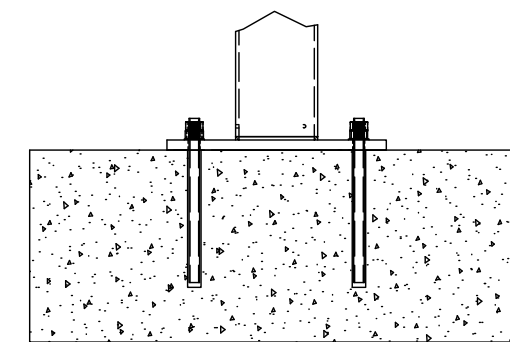
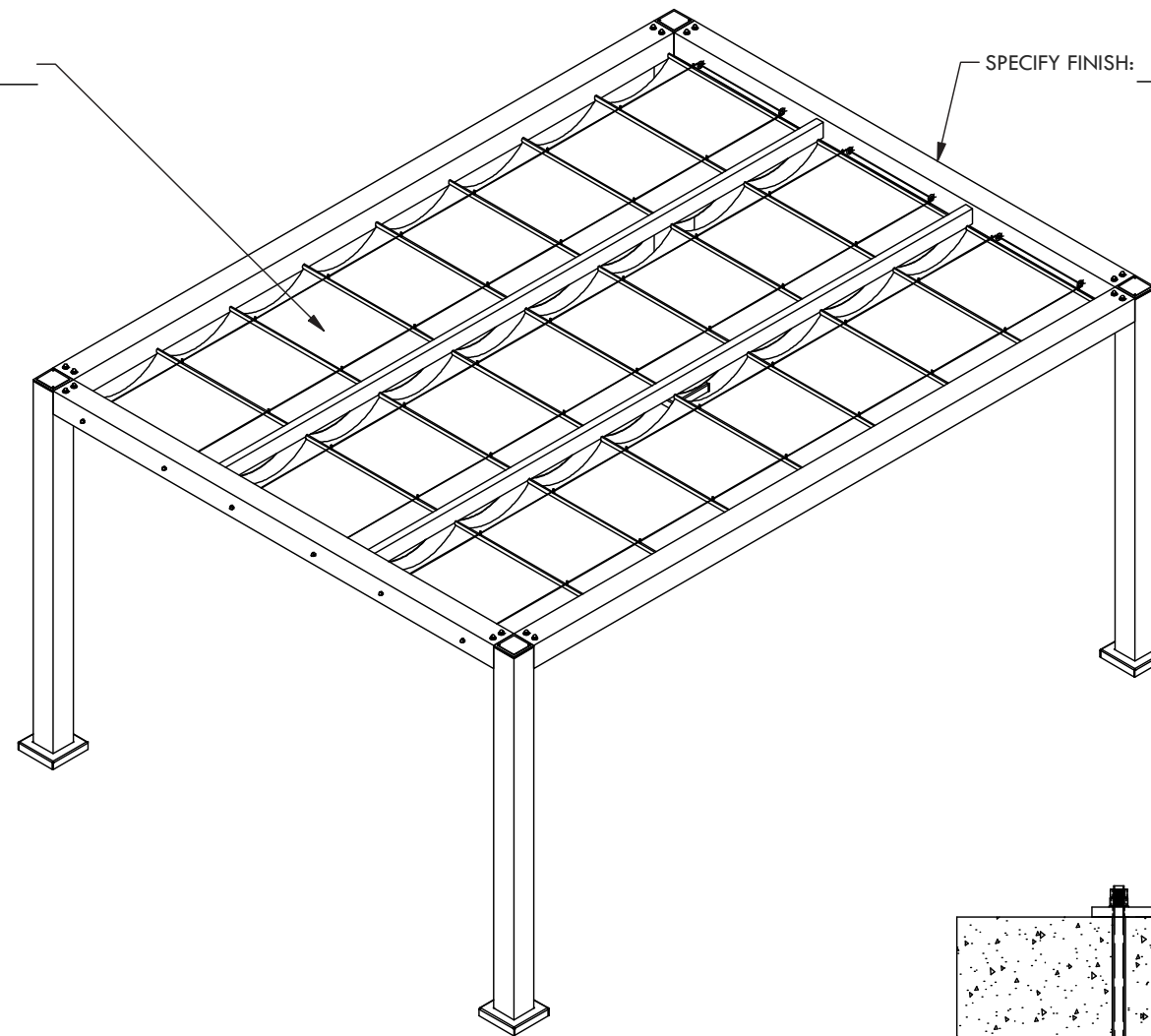
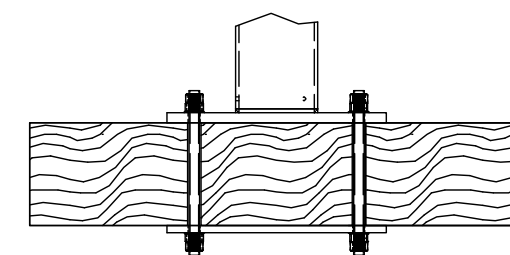


SPECIFY FABRIC:

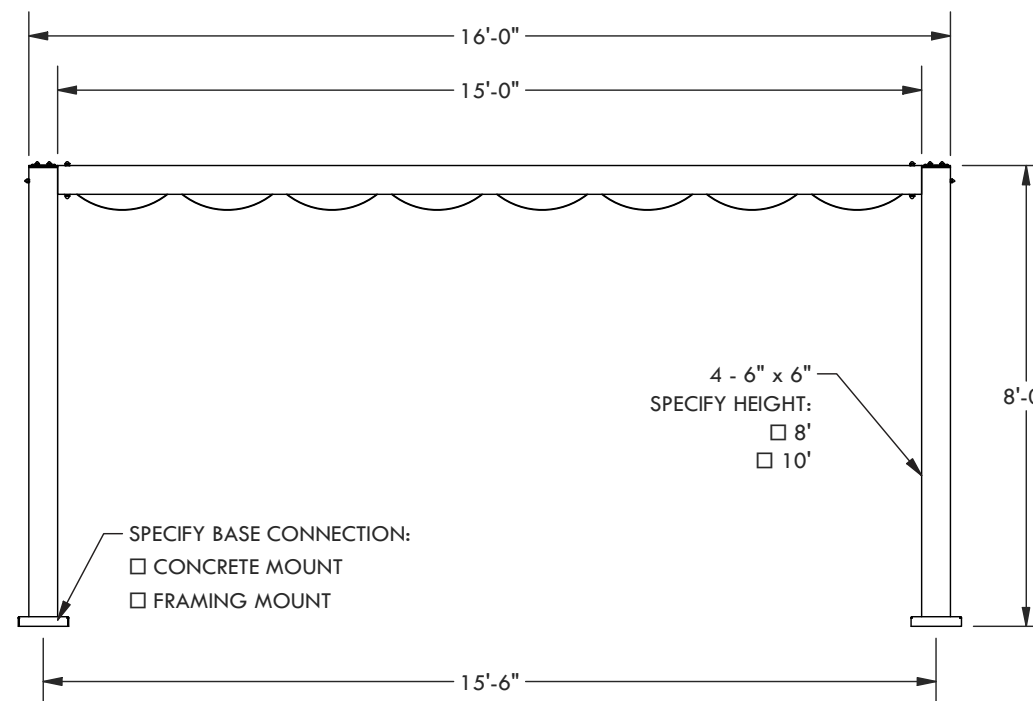
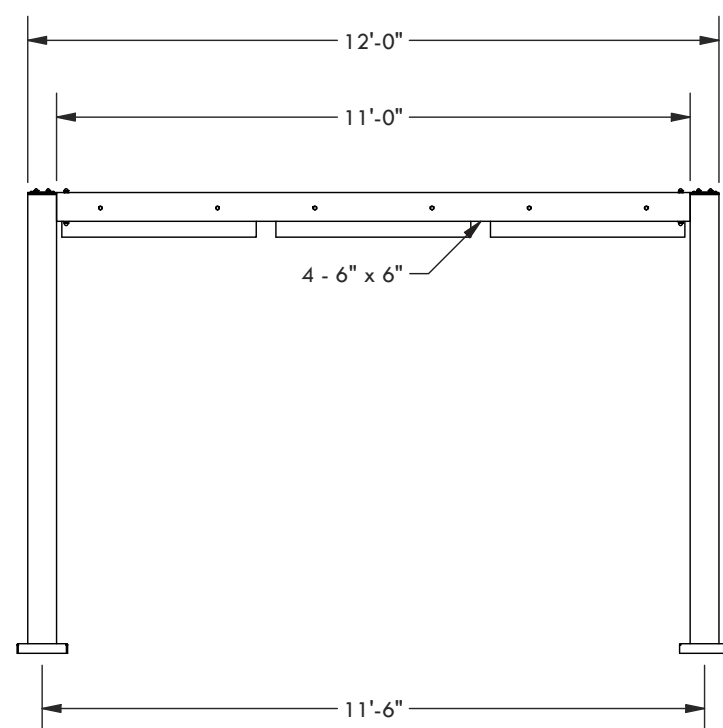
SPECIFY FINISH:



CONCRETE MOUNT



FRAMING MOUNT



4 - 6" x 6"
SPECIFY HEIGHT:
 8'
 10'

SPECIFY BASE CONNECTION:
 CONCRETE MOUNT
 FRAMING MOUNT

DESCRIPTION			
12' WIDE X 16' PROJECTION FREESTANDING BREEZE			
REV	BY	DESCRIPTION	DATE
	PR	INITIAL RELEASE	3/9/2023

© 2023 Structureworks

STRUCTUREWORKS™

www.structureworks.com 877.489.8064