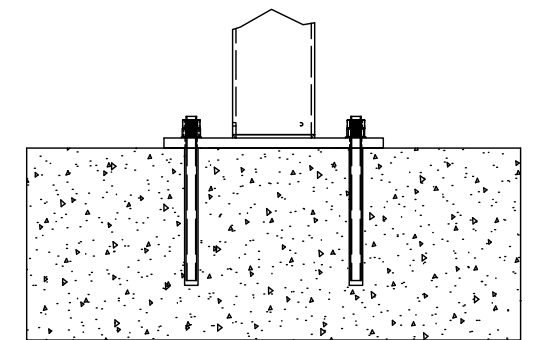
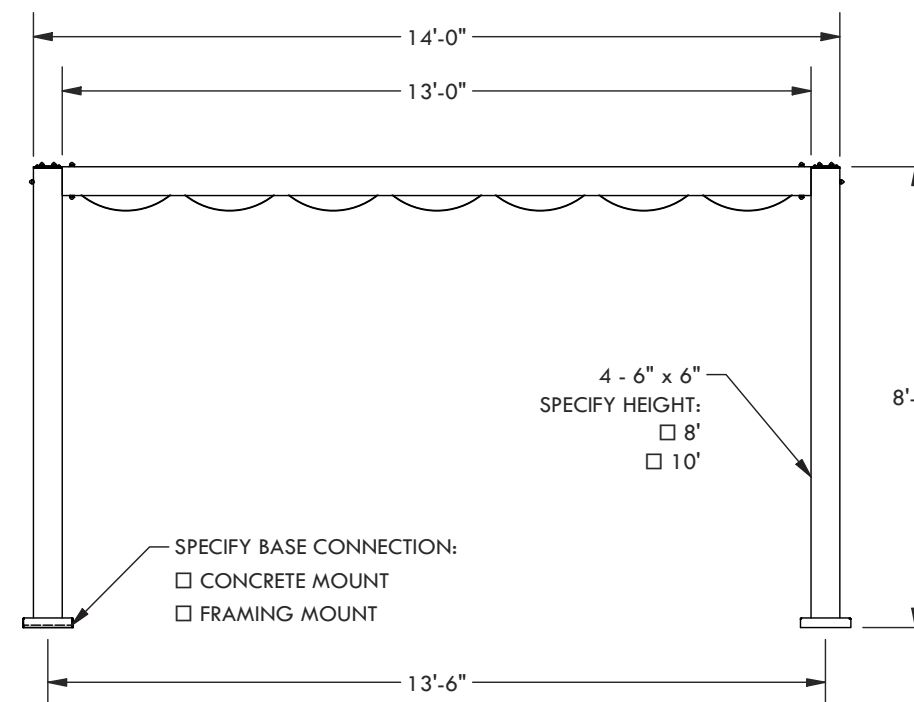
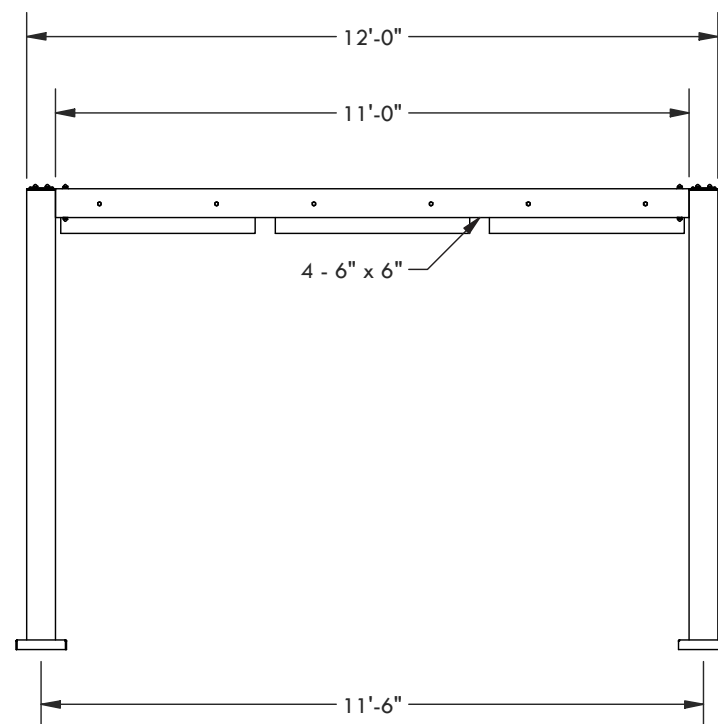
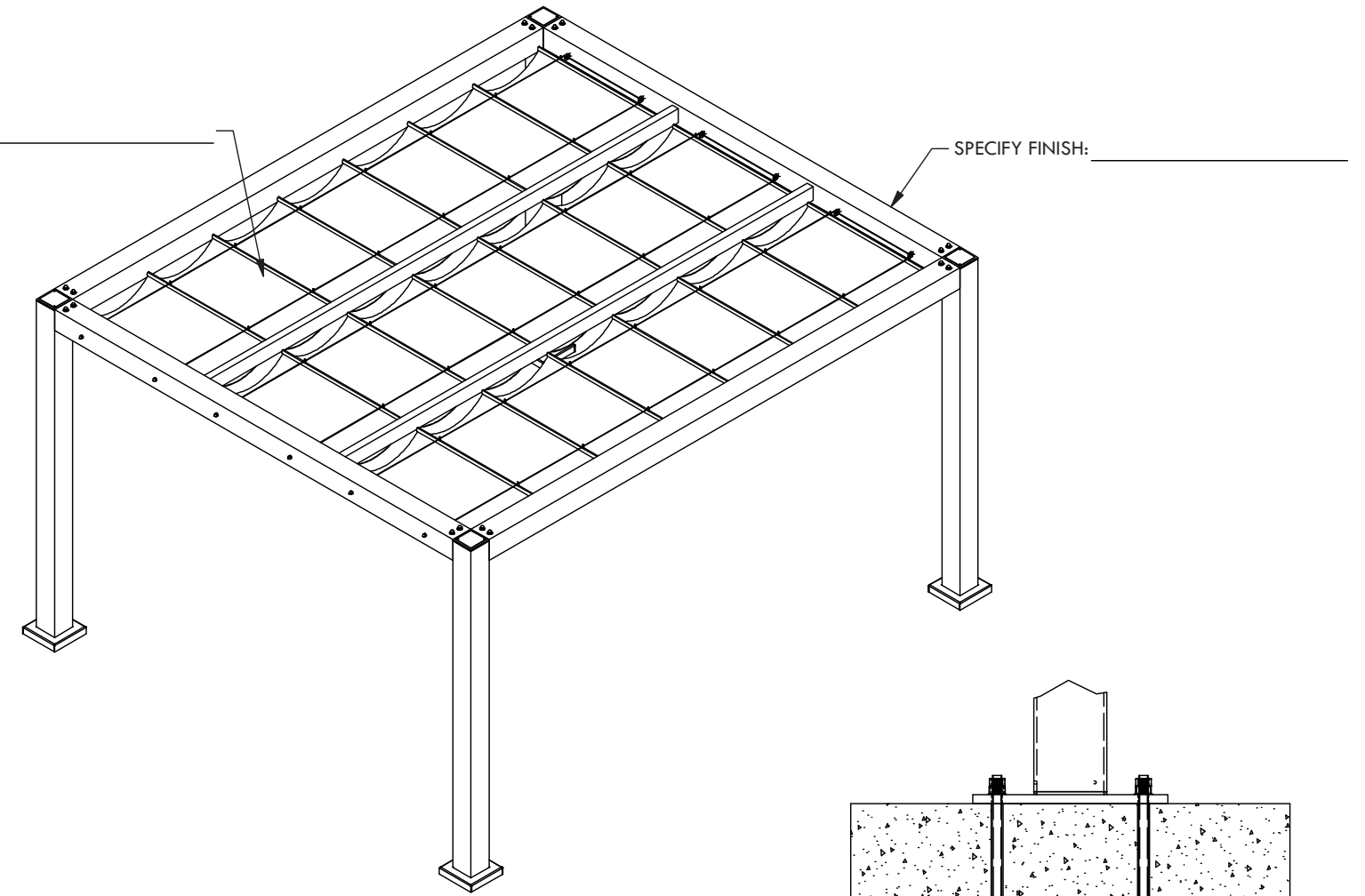
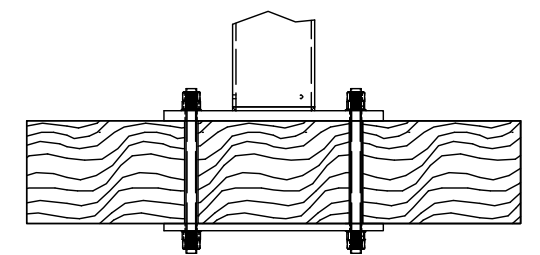


SPECIFY FABRIC:

SPECIFY FINISH: _____



CONCRETE MOUNT



FRAMING MOUNT

| DESCRIPTION | | | |
|--|----|-----------------|----------|
| 12' WIDE X 14' PROJECTION FREESTANDING BREEZE | | | |
| REV | BY | DESCRIPTION | DATE |
| | PR | INITIAL RELEASE | 3/9/2023 |

© 2023 Structureworks

STRUCTUREWORKS™

www.structureworks.com 877.489.8064