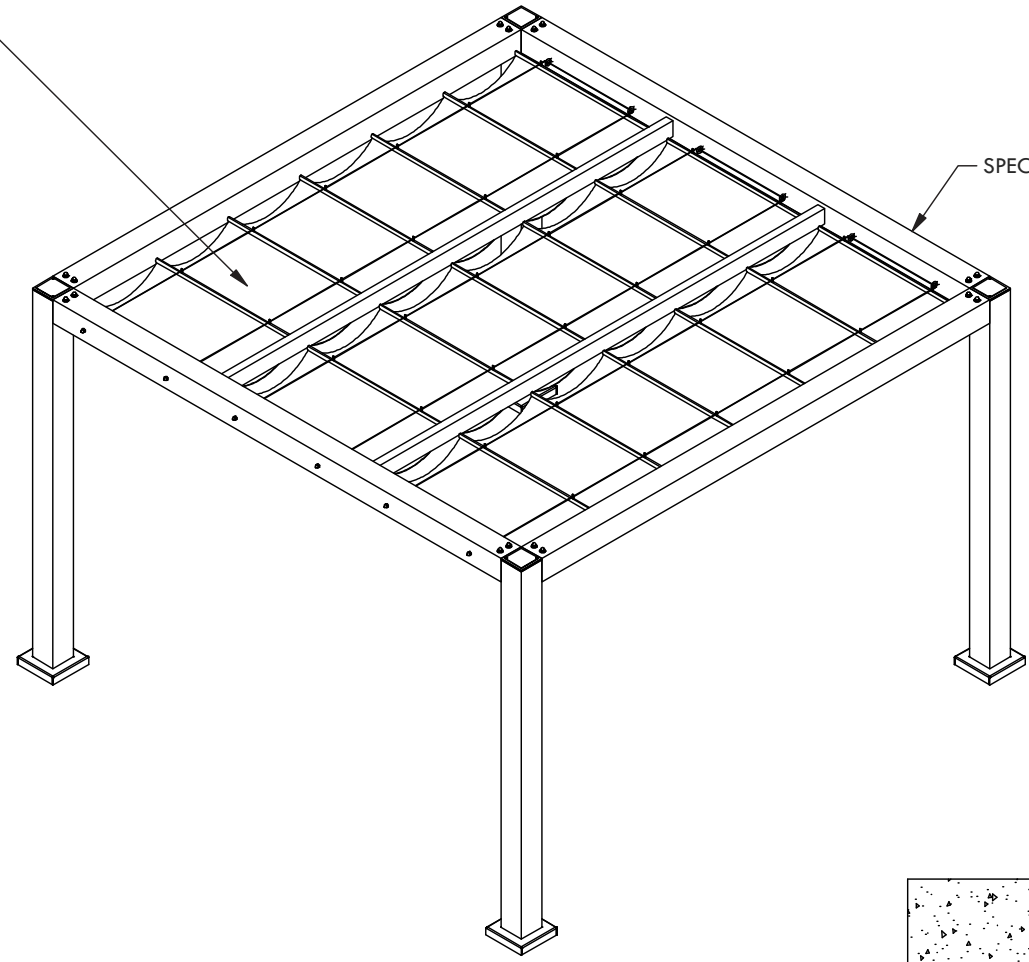
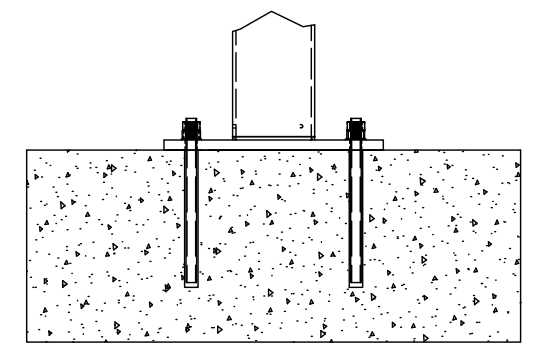
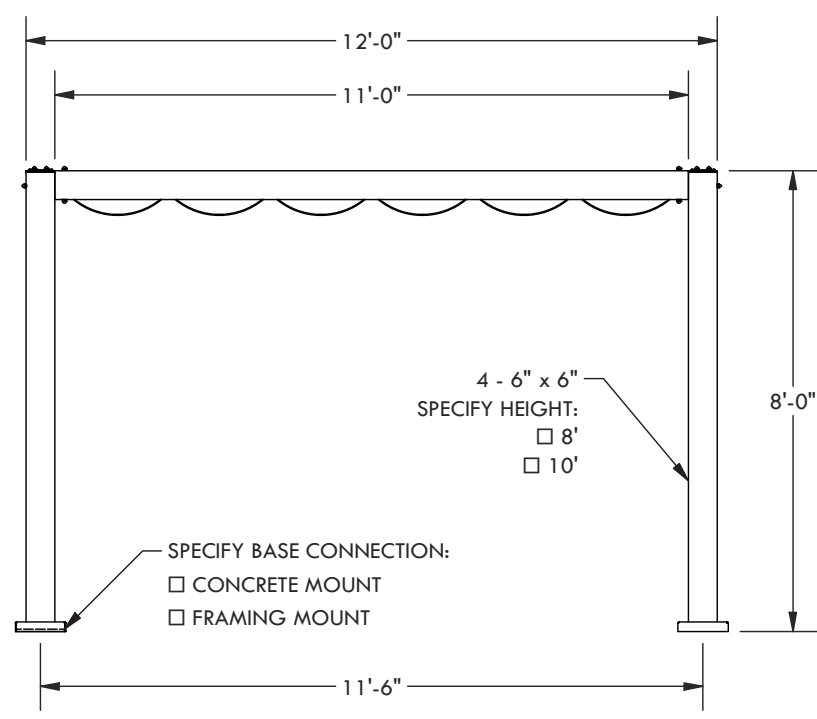
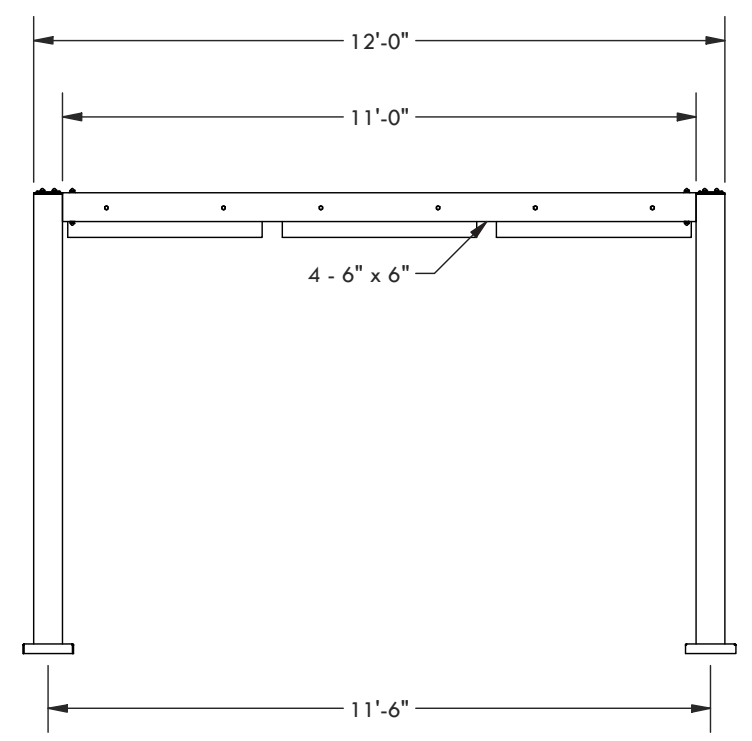


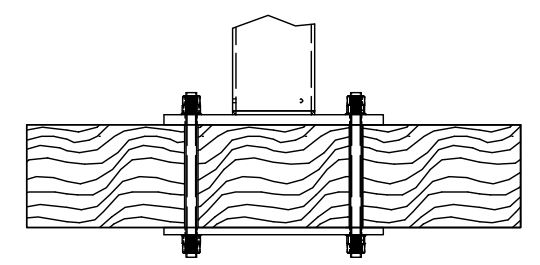
SPECIFY FABRIC:



SPECIFY FINISH:



CONCRETE MOUNT



FRAMING MOUNT

DESCRIPTION			
12' WIDE X 12' PROJECTION FREESTANDING BREEZE			
REV	BY	DESCRIPTION	DATE
	PR	INITIAL RELEASE	03/09/23

© 2023 Structureworks