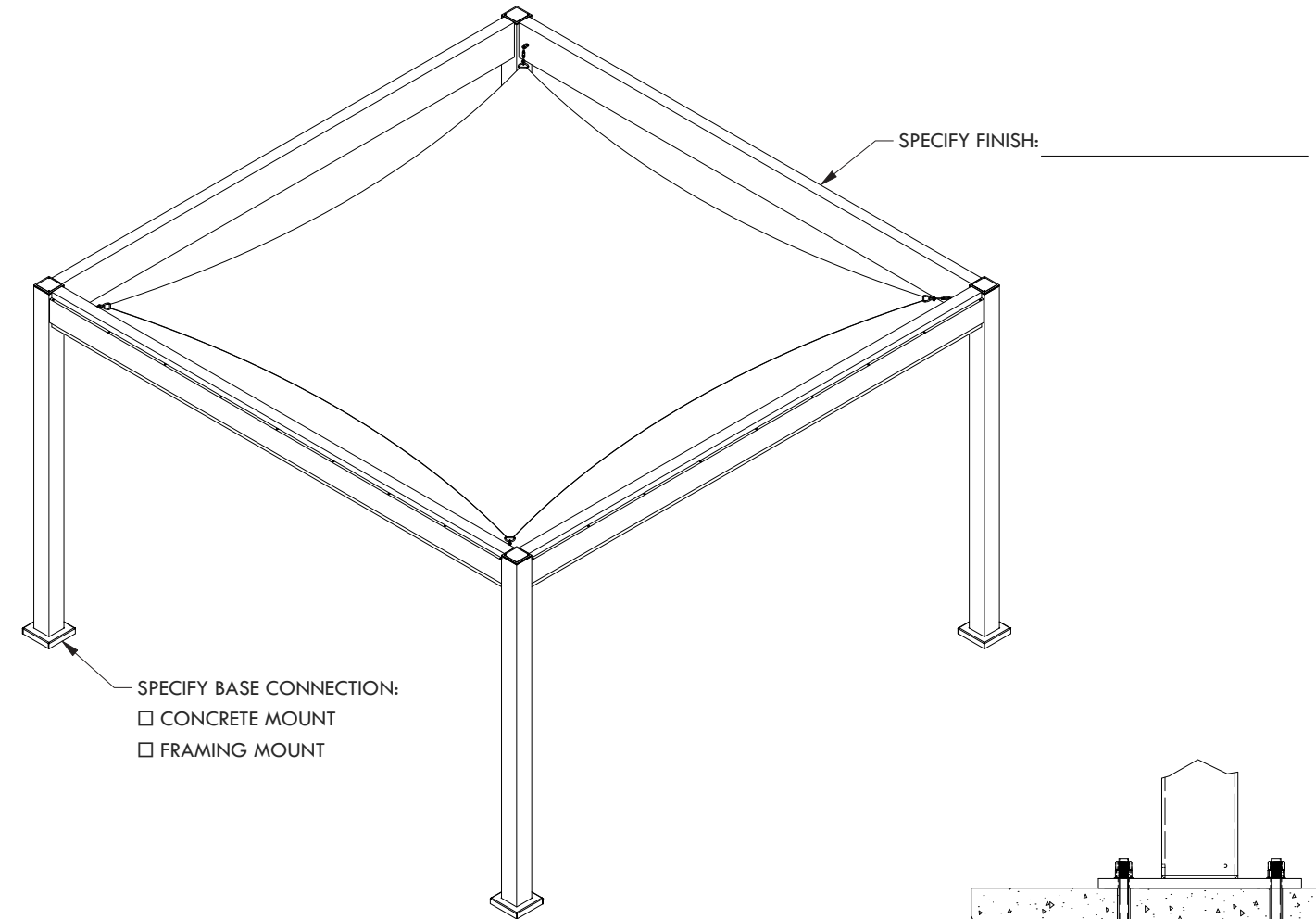


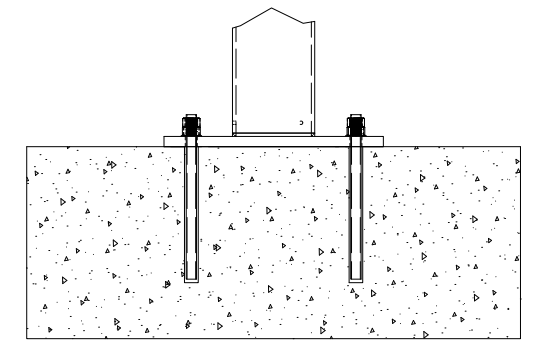
SPECIFY FABRIC:

- NATURAL
- SAND
- YELLOW
- GREY
- GUN METAL
- BLACK
- SKY BLUE

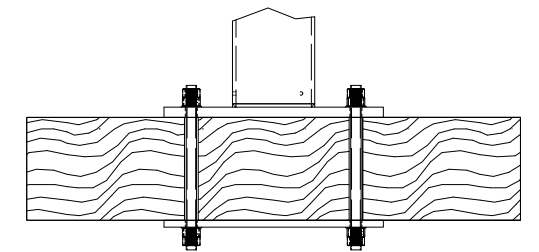


SPECIFY BASE CONNECTION:

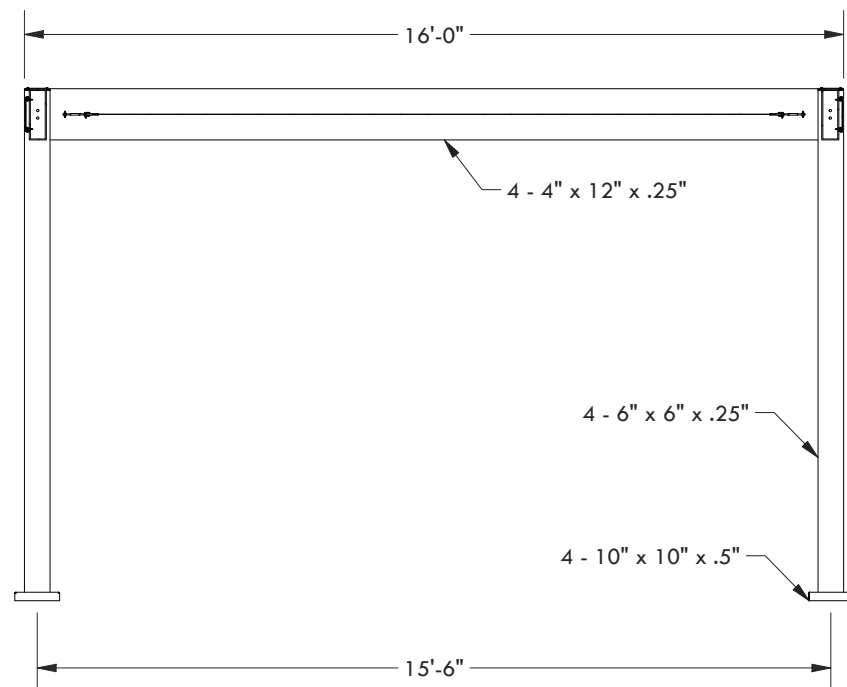
- CONCRETE MOUNT
- FRAMING MOUNT



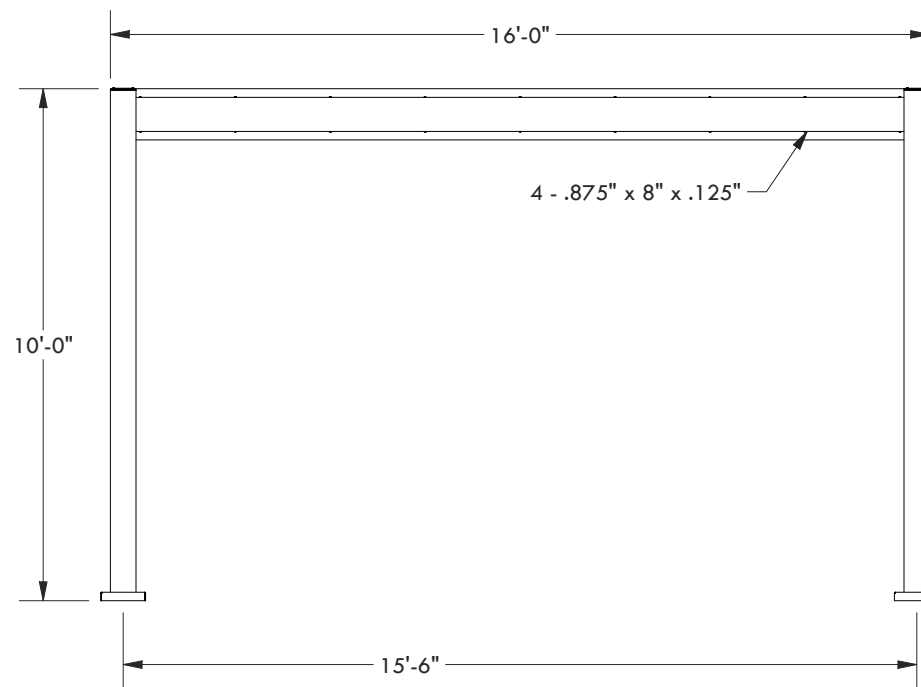
CONCRETE MOUNT



FRAMING MOUNT



SECTION D-D



DESCRIPTION			
16' WIDE X 16' PROJECTION FREESTANDING HARBOR			
REV	BY	DESCRIPTION	DATE
	NB	INITIAL RELEASE	01/01/23

© 2023 Structureworks

STRUCTUREWORKS™

www.structureworks.com 877.489.8064