

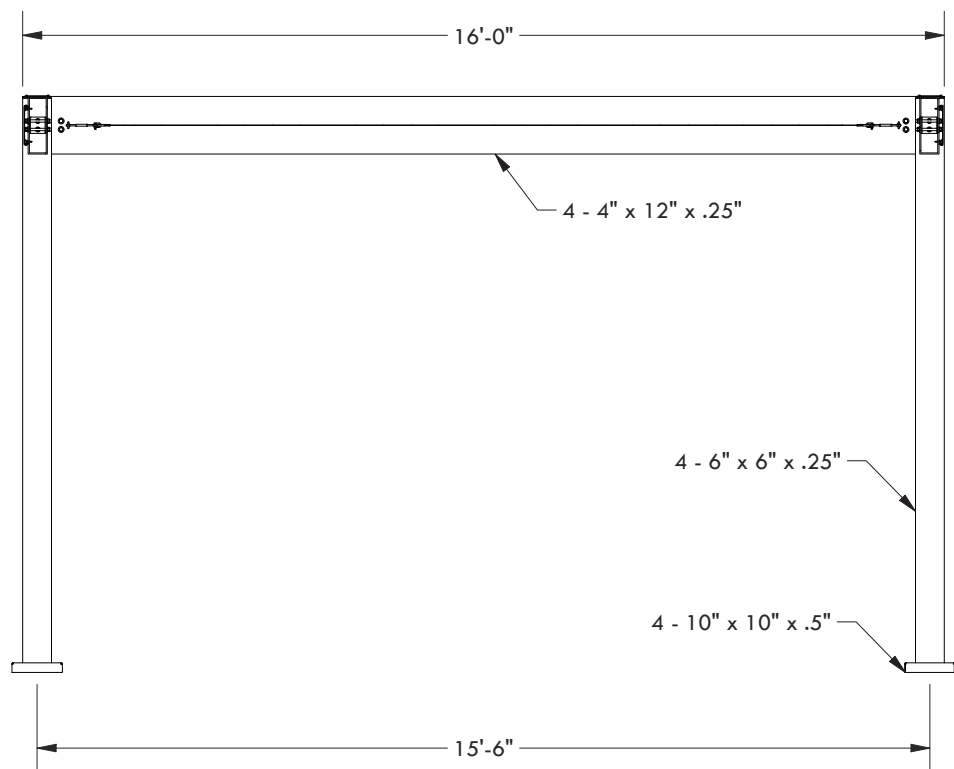
- SPECIFY FABRIC:
- NATURAL
 - SAND
 - YELLOW
 - GREY
 - GUN METAL
 - BLACK
 - SKY BLUE

11'-0"

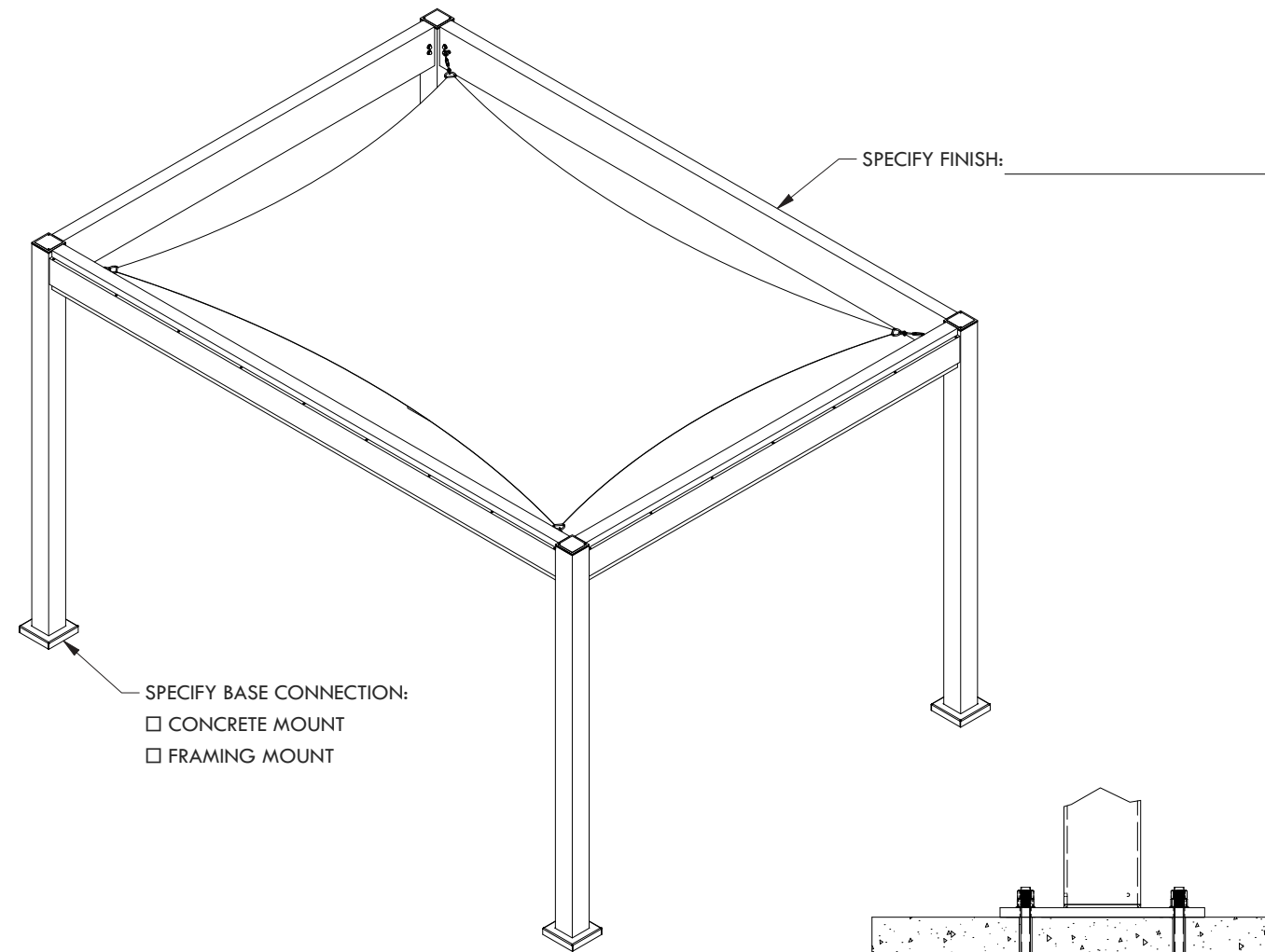
D

15'-0"

D

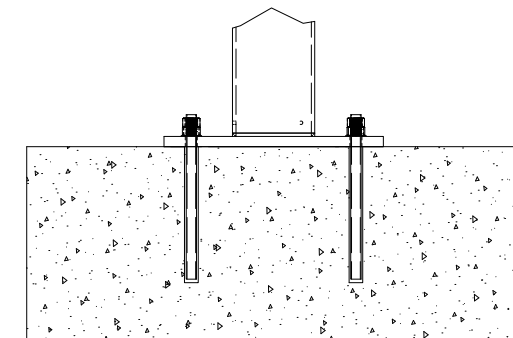
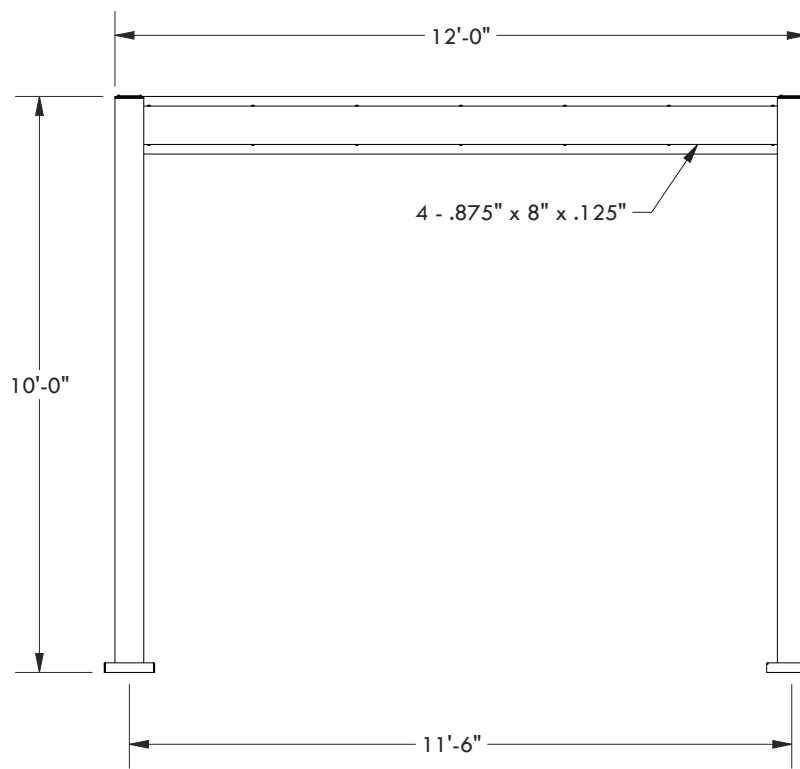


SECTION D-D

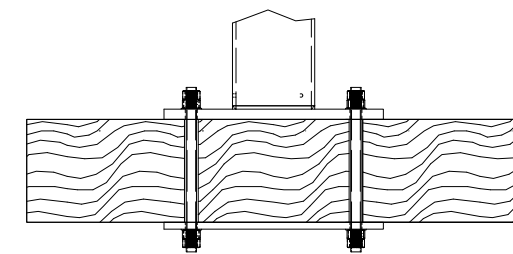


SPECIFY FINISH: _____

- SPECIFY BASE CONNECTION:
- CONCRETE MOUNT
 - FRAMING MOUNT



CONCRETE MOUNT



FRAMING MOUNT

DESCRIPTION			
16' WIDE X 12' PROJECTION FREESTANDING HARBOR			
REV	BY	DESCRIPTION	DATE
	NB	INITIAL RELEASE	01/01/23

© 2023 Structureworks

STRUCTUREWORKS™

www.structureworks.com 877.489.8064