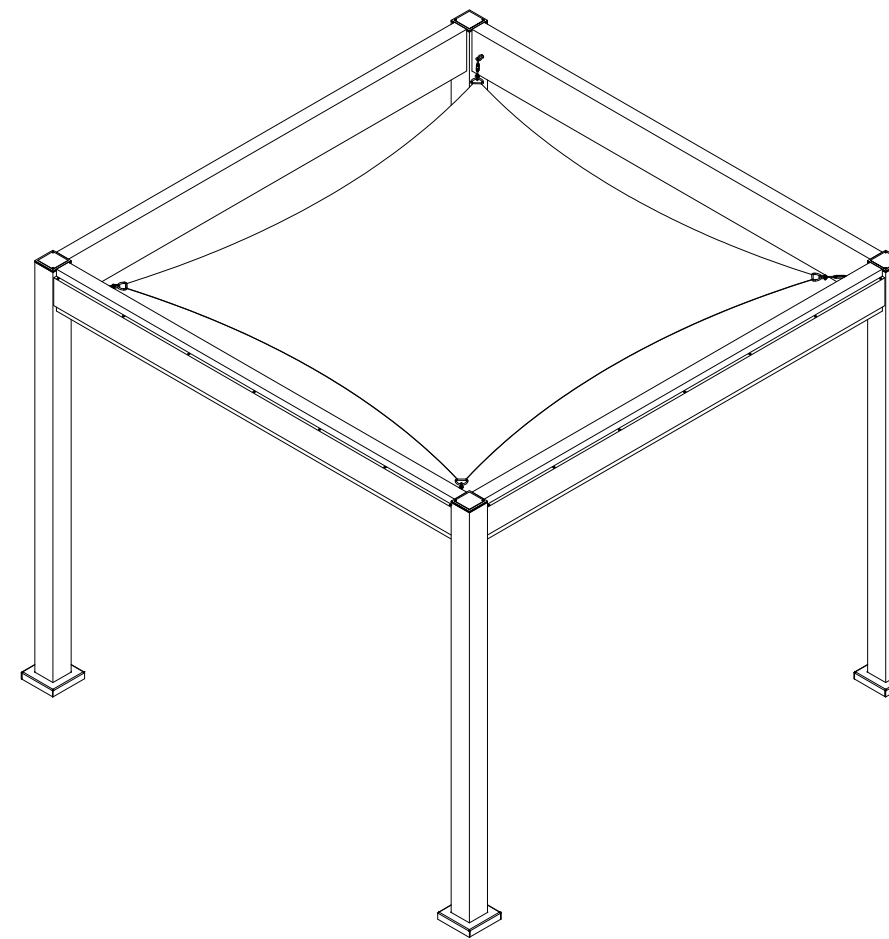
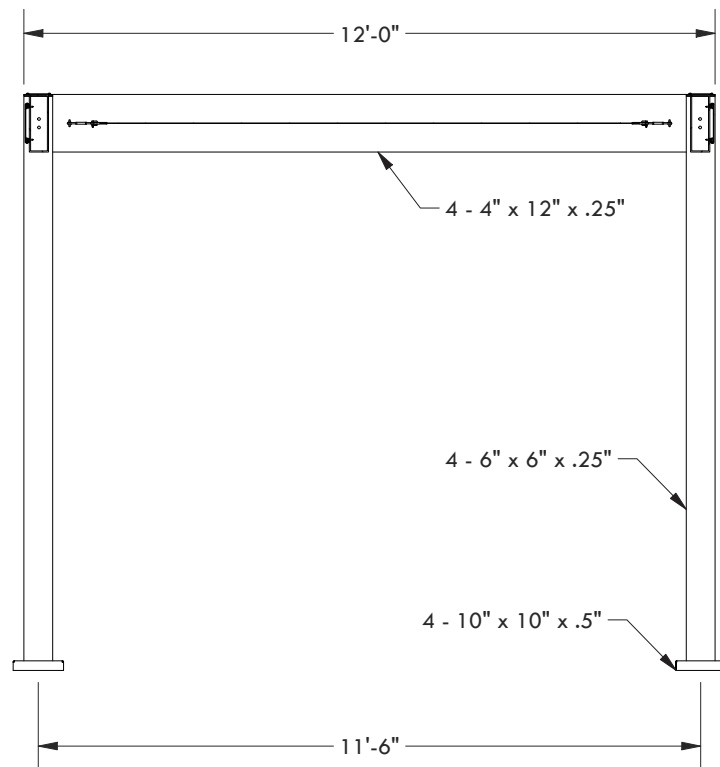


- SPECIFY FABRIC:
- NATURAL
 - SAND
 - YELLOW
 - GREY
 - GUN METAL
 - BLACK
 - SKY BLUE

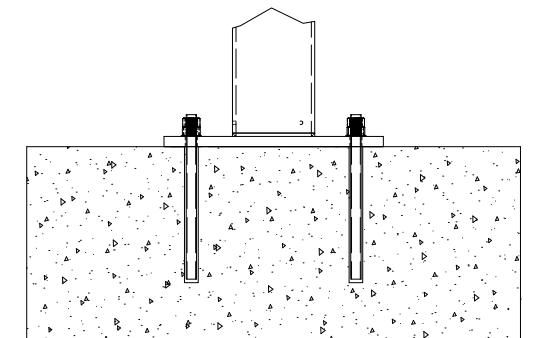
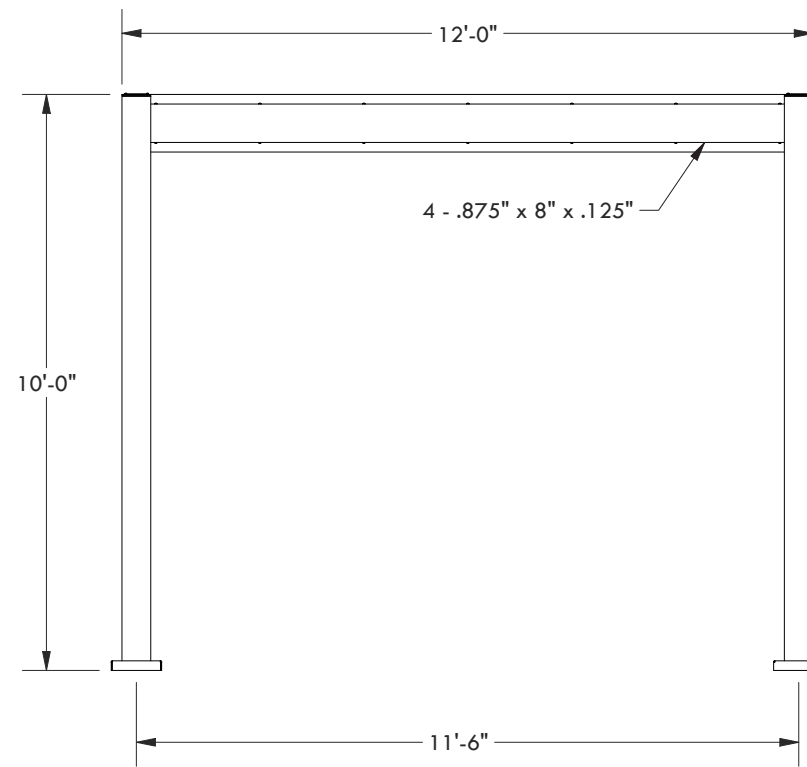


SPECIFY FINISH: _____

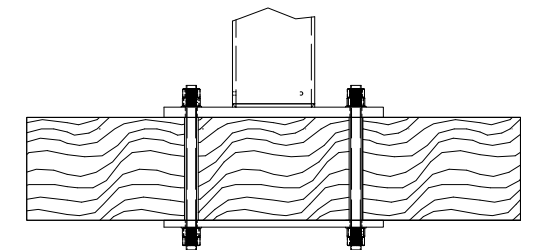
- SPECIFY BASE CONNECTION:
- CONCRETE MOUNT
 - FRAMING MOUNT



SECTION D-D



CONCRETE MOUNT



FRAMING MOUNT

DESCRIPTION			
12' WIDE X 12' PROJECTION FREESTANDING HARBOR			
REV	BY	DESCRIPTION	DATE
	NB	INITIAL RELEASE	01/01/23

© 2023 Structureworks

STRUCTUREWORKS™

www.structureworks.com 877.489.8064