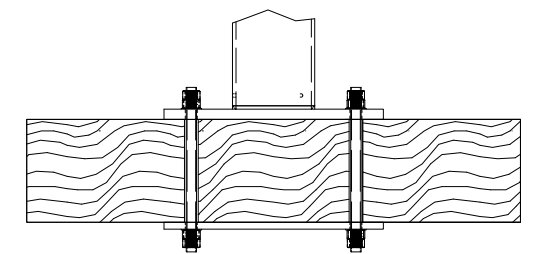
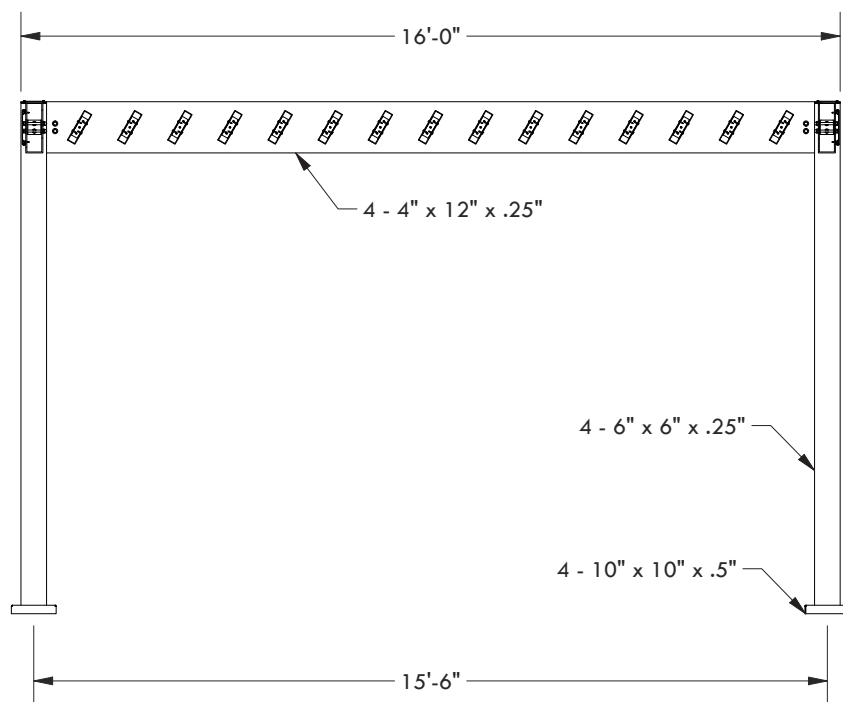


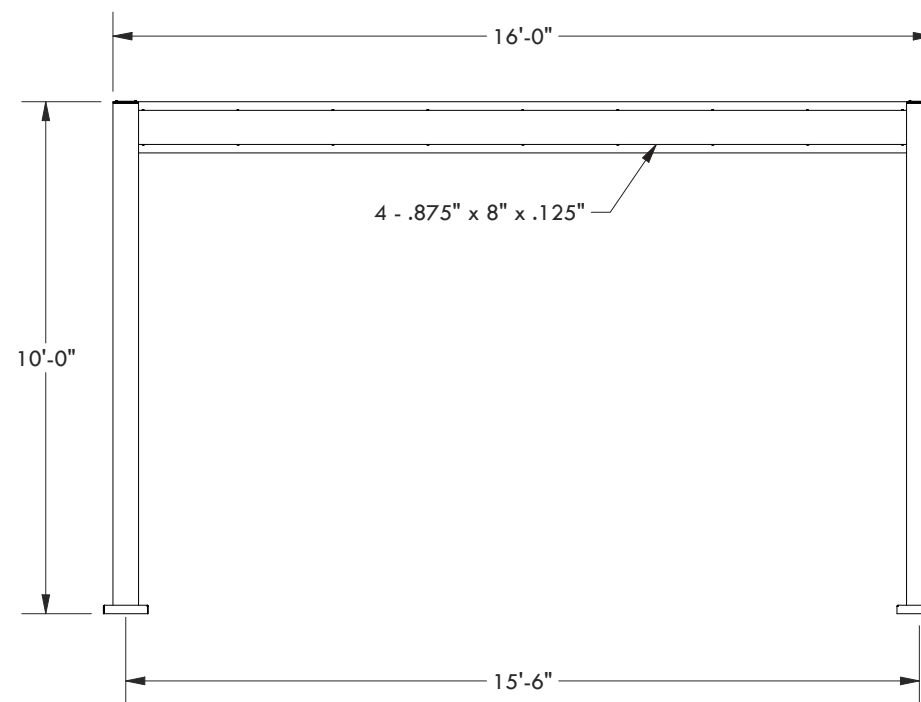
CONCRETE MOUNT



FRAMING MOUNT



SECTION D-D



DESCRIPTION			
16' WIDE X 16' PROJECTION FREESTANDING STRATUS			
REV	BY	DESCRIPTION	DATE
	NB	INITIAL RELEASE	01/01/23

© 2023 Structureworks

STRUCTUREWORKSTM

www.structureworks.com 877.489.8064