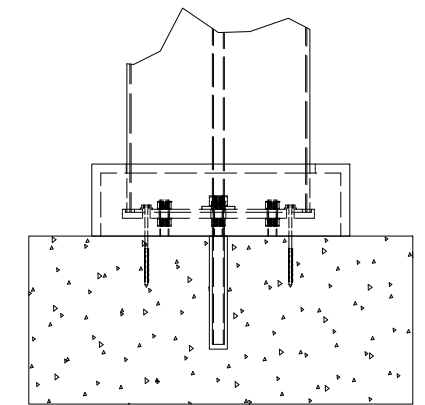
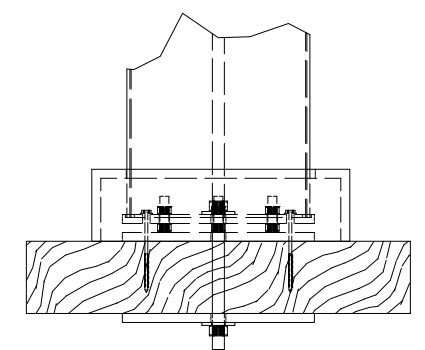


CLASSIC TRIM      STANDARD TRIM

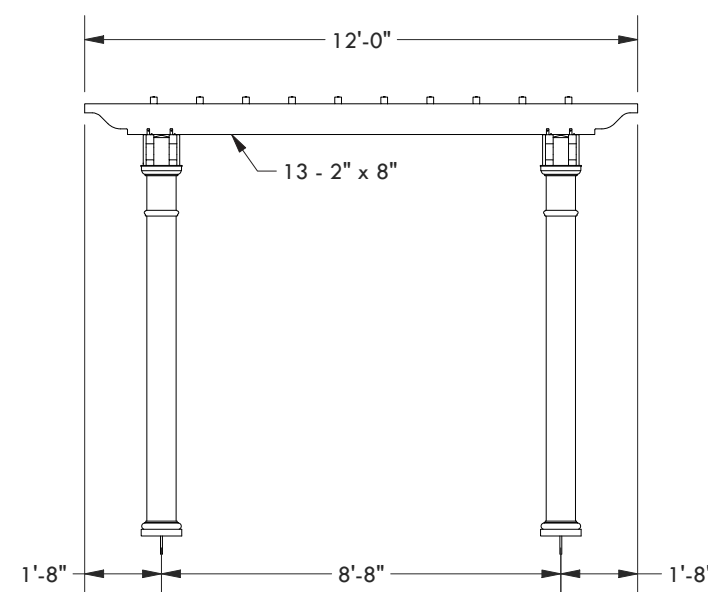
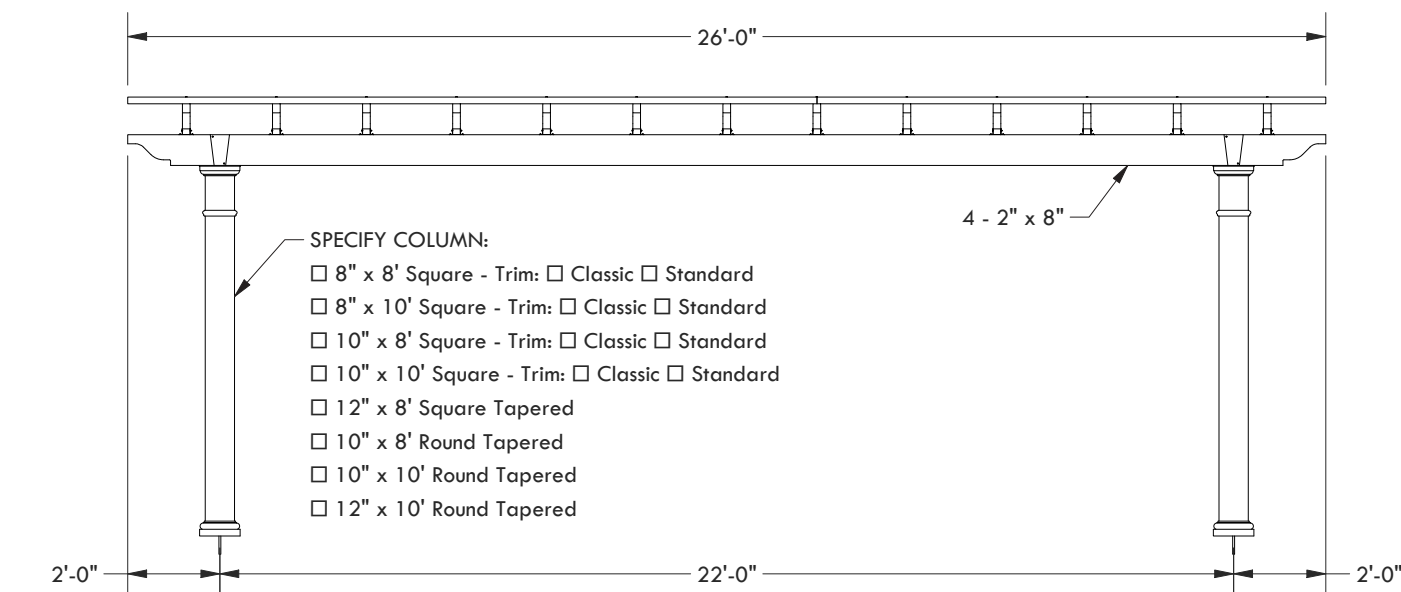
SPECIFY BASE CONNECTION:  
 CONCRETE MOUNT  
 FRAMING MOUNT



CONCRETE MOUNT



FRAMING MOUNT



DESCRIPTION			
<b>26' WIDE X 12' PROJECTION FREESTANDING WILLIAMSBURG</b>			
REV	BY	DESCRIPTION	DATE
1	NB	INITIAL RELEASE	04/02/21

© 2021 Structureworks

**STRUCTUREWORKS™**

www.structureworks.com 877.489.8064