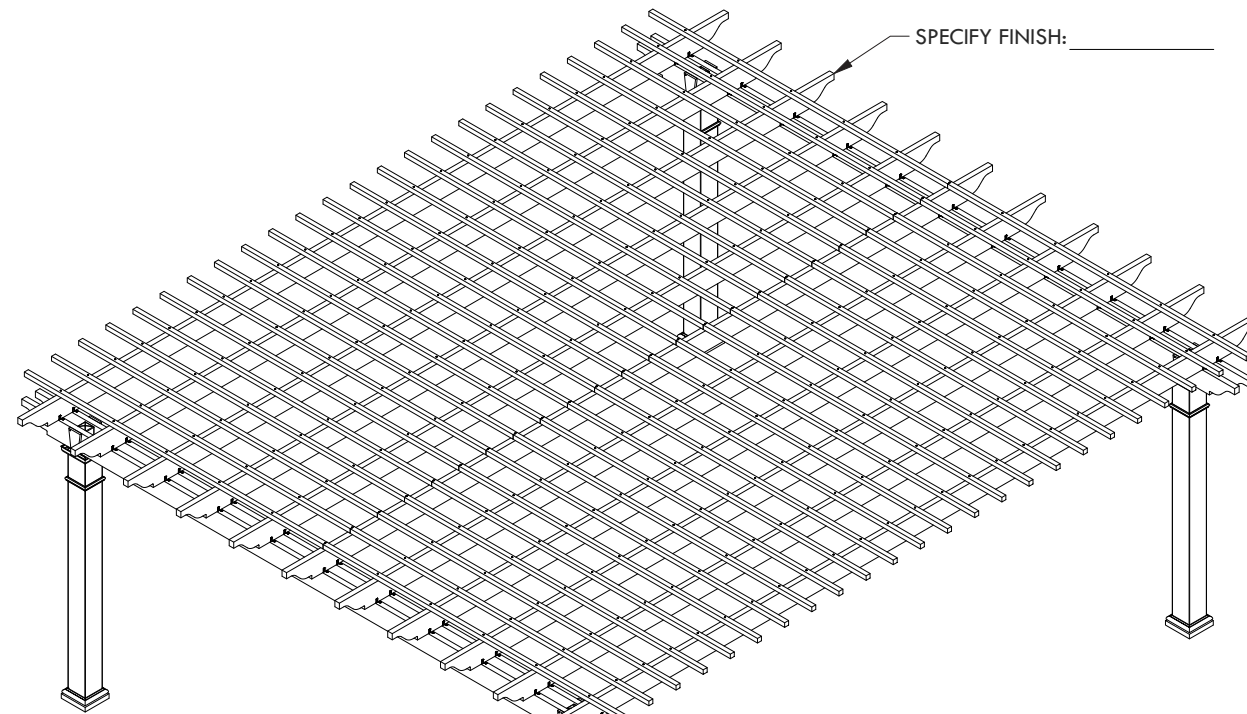
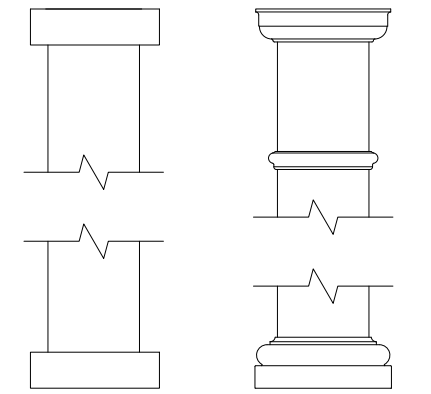


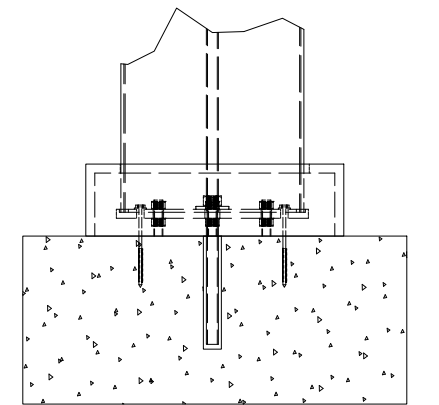
24 - 1 3/4" x 1 3/4"



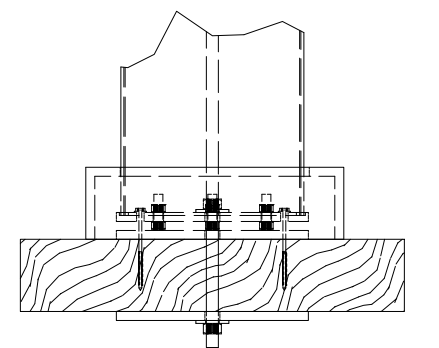
SPECIFY BASE CONNECTION:  
 CONCRETE MOUNT  
 FRAMING MOUNT



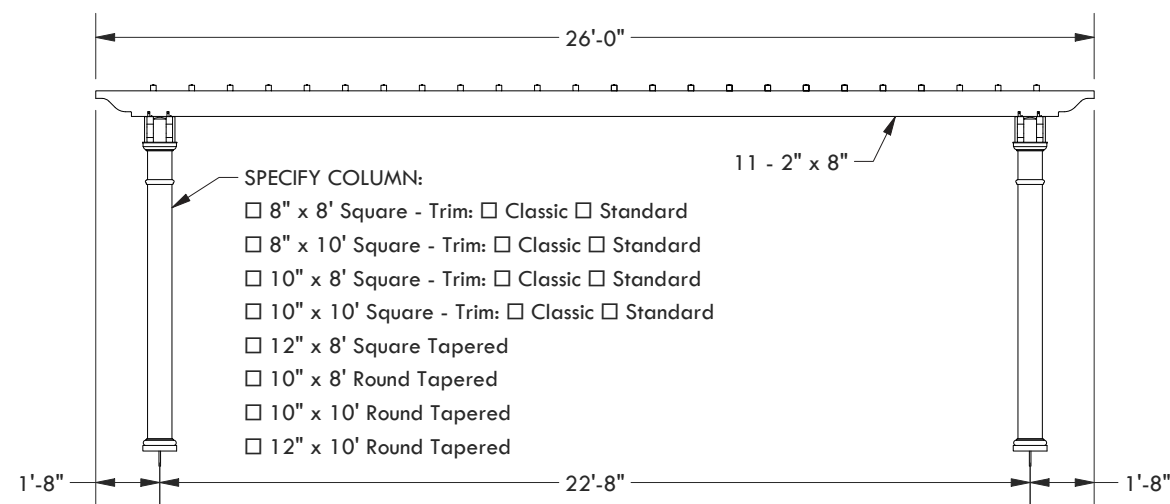
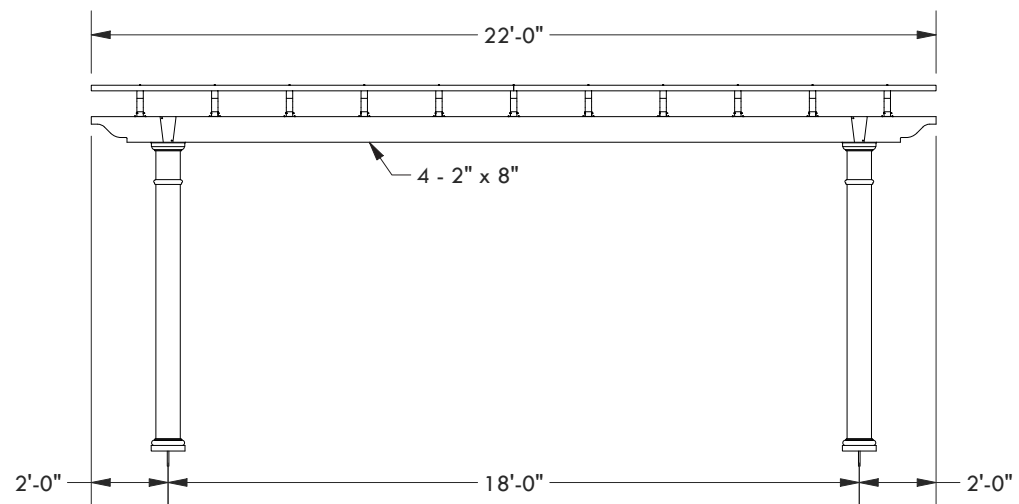
CLASSIC TRIM      STANDARD TRIM



CONCRETE MOUNT



FRAMING MOUNT



SPECIFY COLUMN:  
 8" x 8' Square - Trim:  Classic  Standard  
 8" x 10' Square - Trim:  Classic  Standard  
 10" x 8' Square - Trim:  Classic  Standard  
 10" x 10' Square - Trim:  Classic  Standard  
 12" x 8' Square Tapered  
 10" x 8' Round Tapered  
 10" x 10' Round Tapered  
 12" x 10' Round Tapered

DESCRIPTION			
<b>22' WIDE X 26' PROJECTION FREESTANDING WILLIAMSBURG</b>			
REV	BY	DESCRIPTION	DATE
1	NB	INITIAL RELEASE	04/02/21

© 2021 Structureworks

**STRUCTUREWORKS™**

www.structureworks.com 877.489.8064