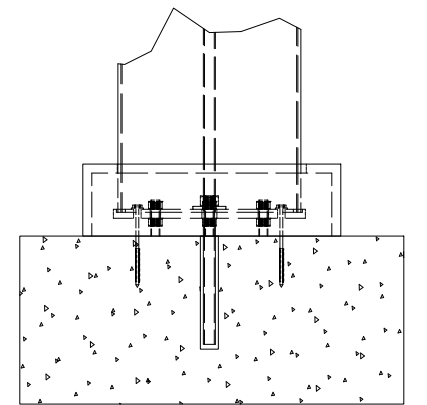
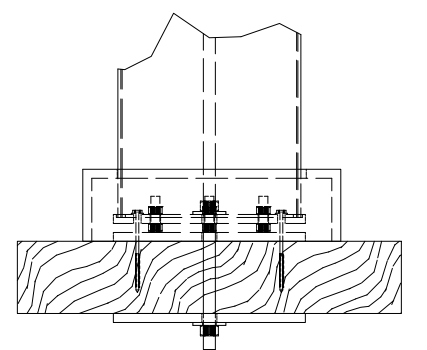


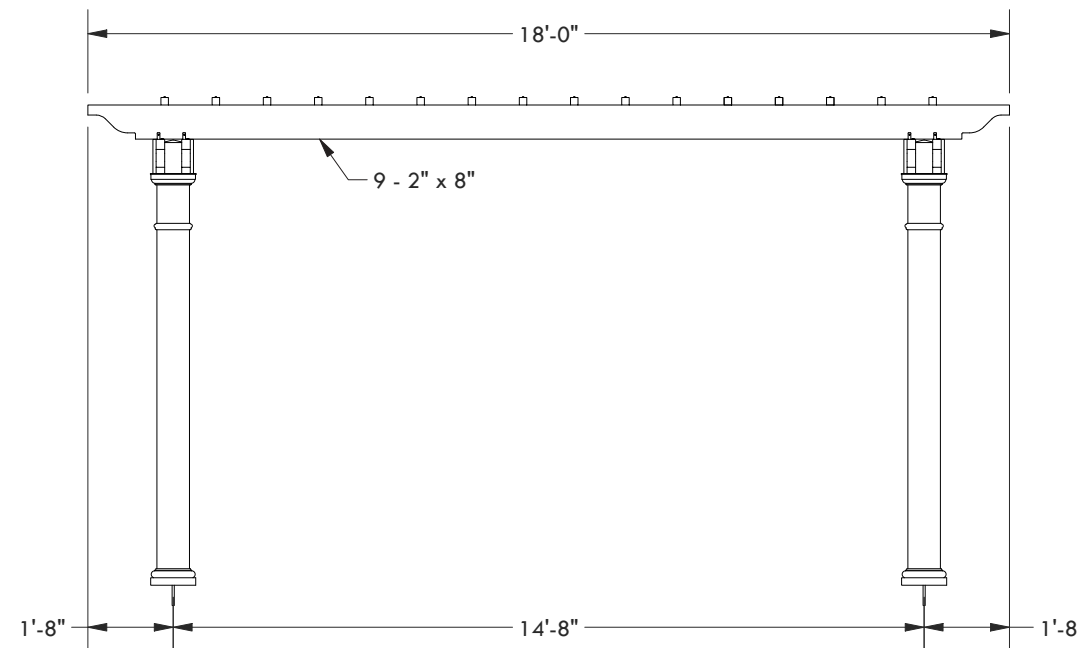
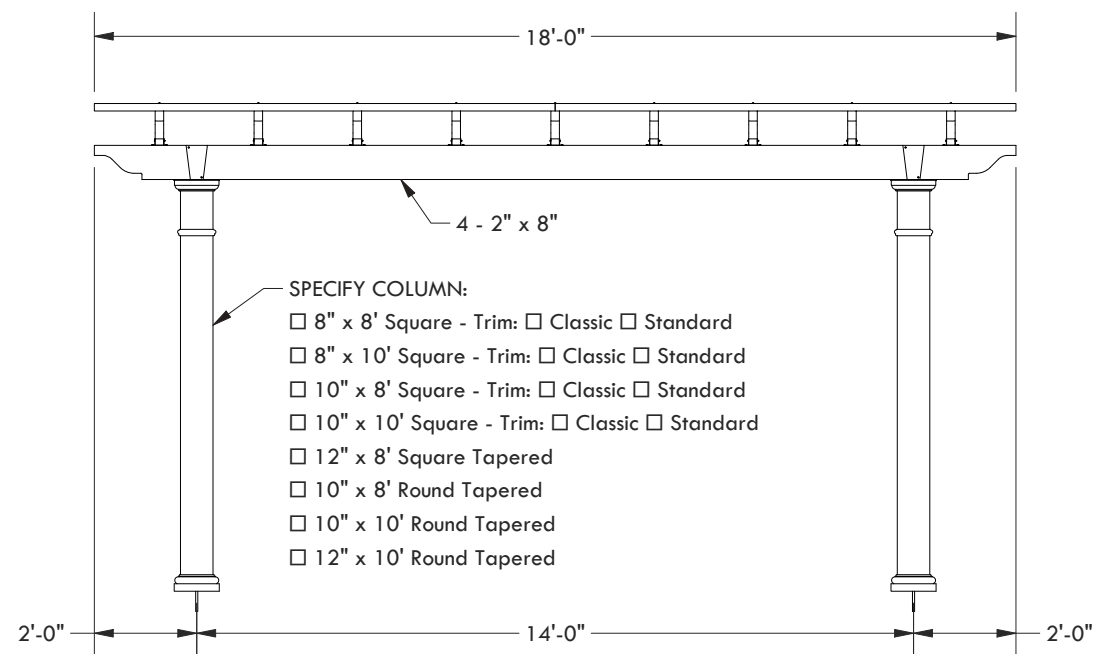
CLASSIC TRIM STANDARD TRIM



CONCRETE MOUNT



FRAMING MOUNT



DESCRIPTION			
18' WIDE X 18' PROJECTION FREESTANDING WILLIAMSBURG			
REV	BY	DESCRIPTION	DATE
1	NB	INITIAL RELEASE	04/02/21

© 2021 Structureworks

STRUCTUREWORKSTM

www.structureworks.com 877.489.8064