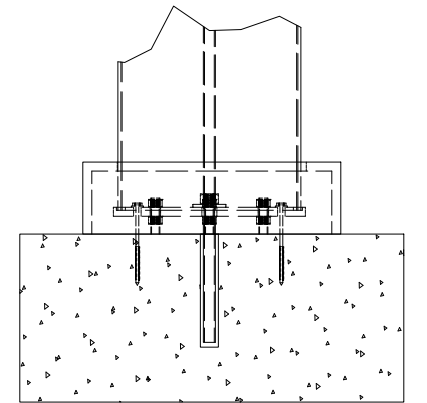
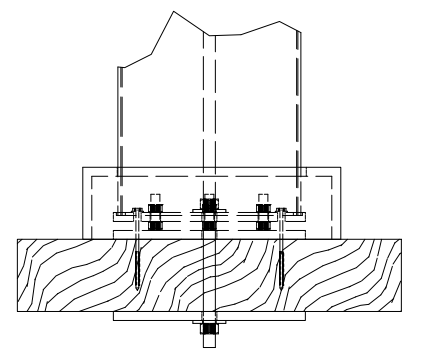


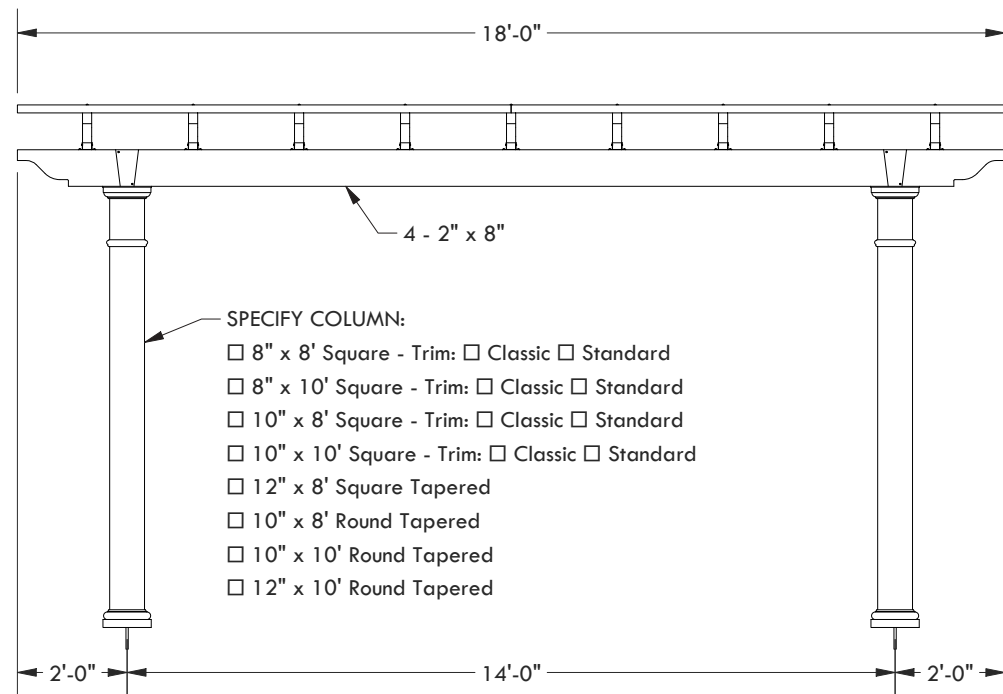
CLASSIC TRIM STANDARD TRIM



CONCRETE MOUNT

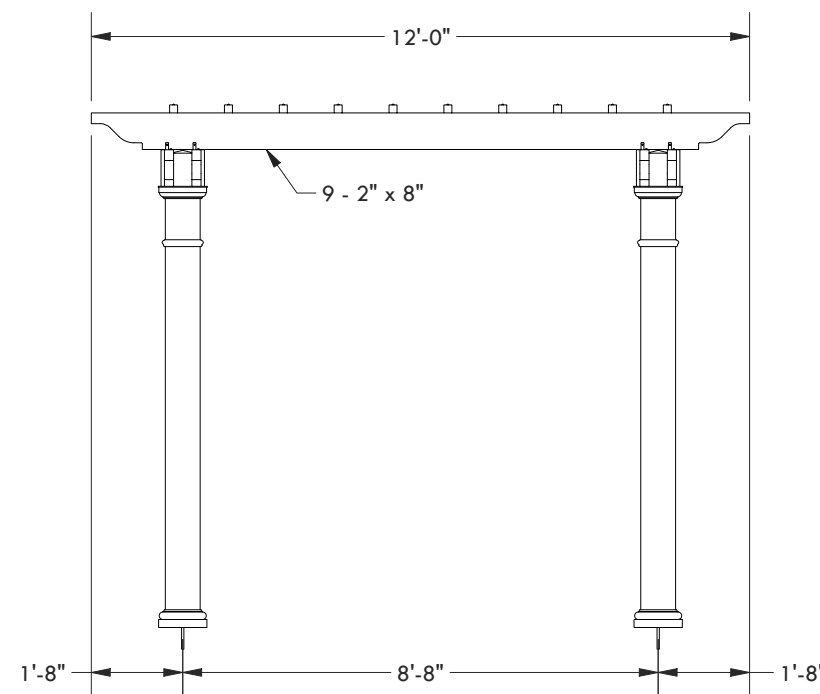


FRAMING MOUNT



SPECIFY COLUMN:

- 8" x 8' Square - Trim: Classic Standard
- 8" x 10' Square - Trim: Classic Standard
- 10" x 8' Square - Trim: Classic Standard
- 10" x 10' Square - Trim: Classic Standard
- 12" x 8' Square Tapered
- 10" x 8' Round Tapered
- 10" x 10' Round Tapered
- 12" x 10' Round Tapered



| DESCRIPTION | | | |
|--|----|-----------------|----------|
| 18' WIDE X 12' PROJECTION FREESTANDING WILLIAMSBURG | | | |
| REV | BY | DESCRIPTION | DATE |
| 1 | NB | INITIAL RELEASE | 04/02/21 |

STRUCTUREWORKS™
www.structureworks.com 877.489.8064

© 2021 Structureworks