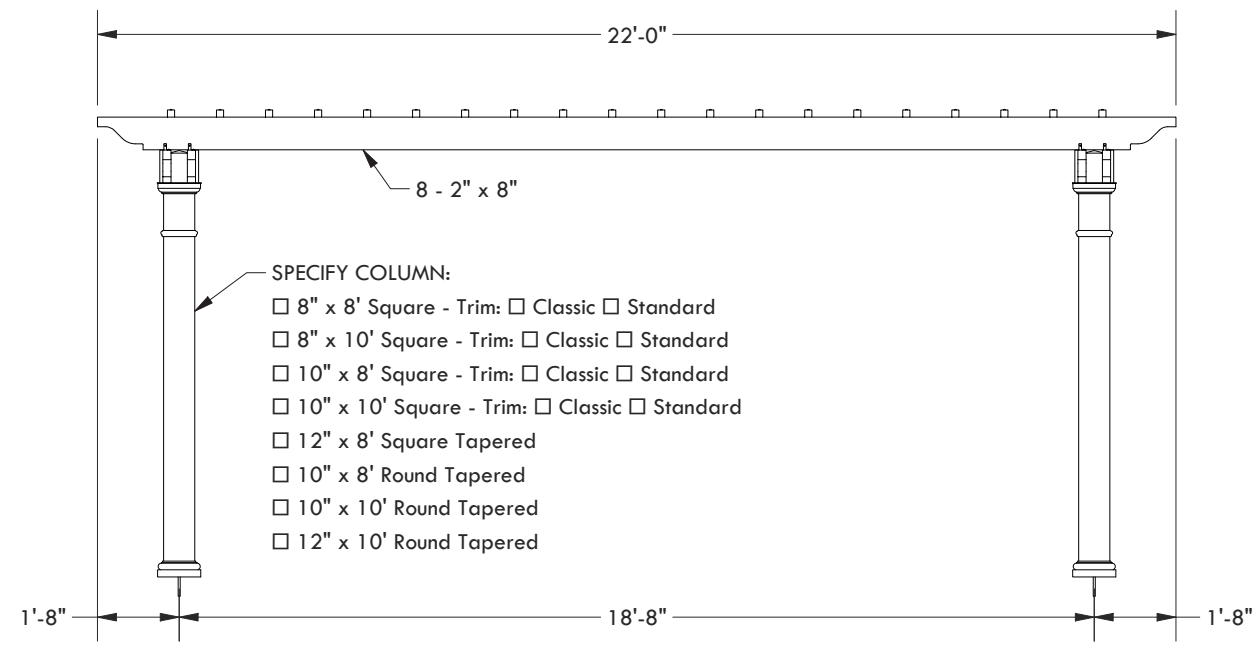
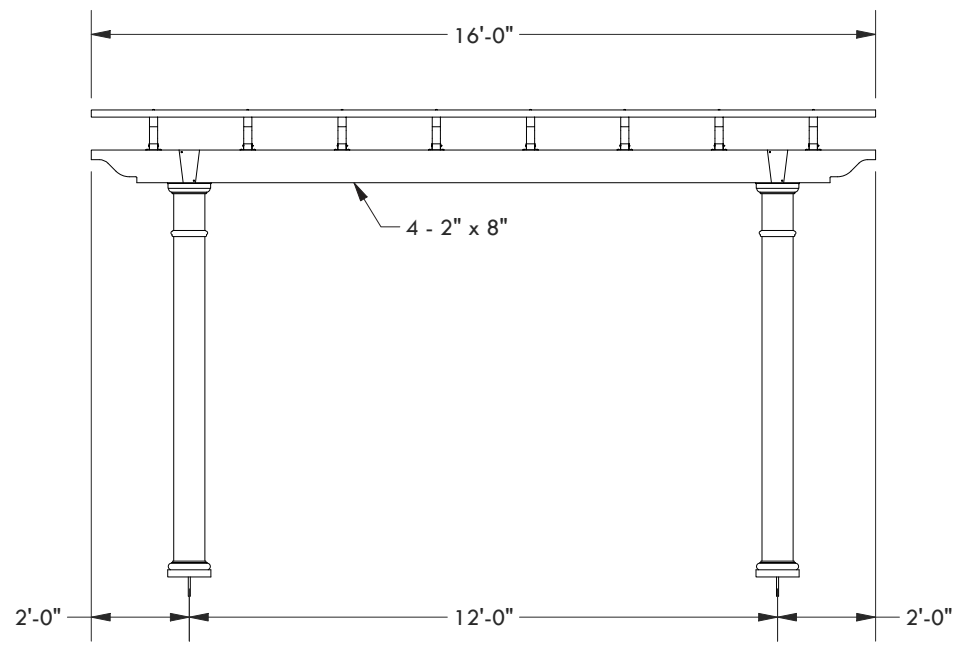
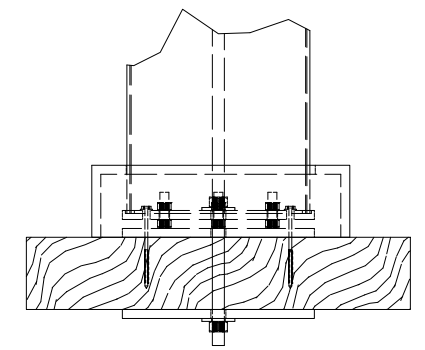
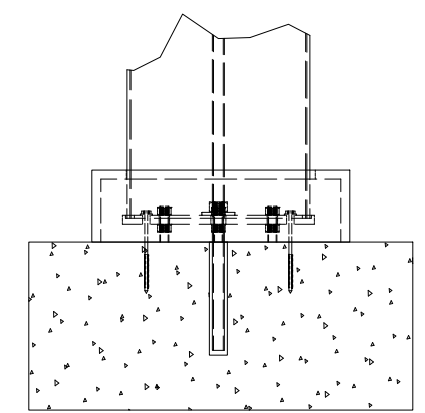


SPECIFY BASE CONNECTION:
 CONCRETE MOUNT
 FRAMING MOUNT



DESCRIPTION			
16' WIDE X 22' PROJECTION FREESTANDING WILLIAMSBURG			
REV	BY	DESCRIPTION	DATE
1	NB	INITIAL RELEASE	04/02/21

STRUCTUREWORKSTM
 www.structureworks.com 877.489.8064

© 2021 Structureworks