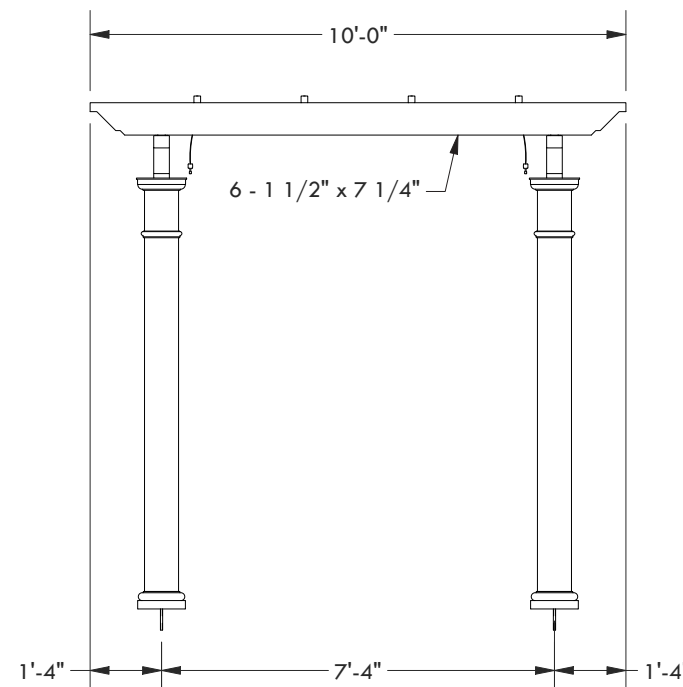
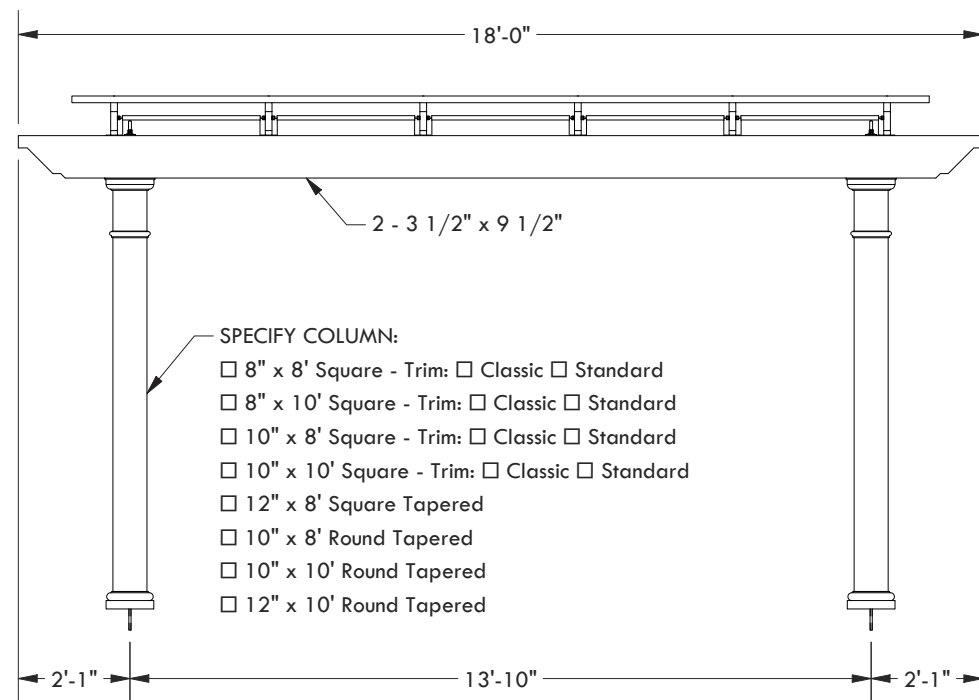
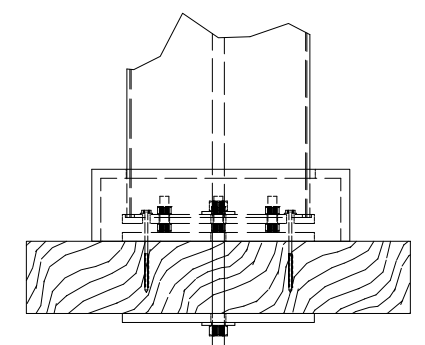
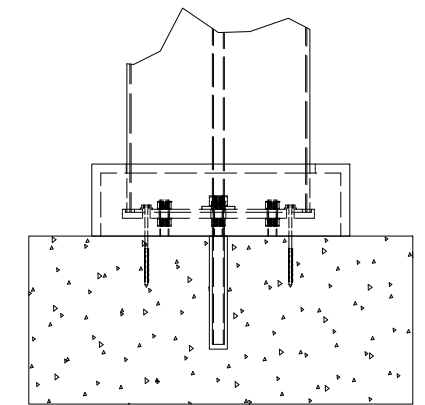


SPECIFY FINISH - COLUMN: _____

SPECIFY BASE CONNECTION:

CONCRETE MOUNT

FRAMING MOUNT



DESCRIPTION			
18' WIDE X 10' PROJECTION FREESTANDING TREX PERGOLA + SHADE TREE			
REV	BY	DESCRIPTION	DATE
1	NB	INITIAL RELEASE	03/31/21

© 2021 Structureworks

Trex Pergola™

www.trexpergola.com 888.908.4965