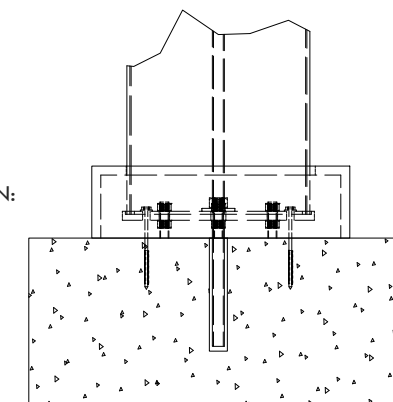
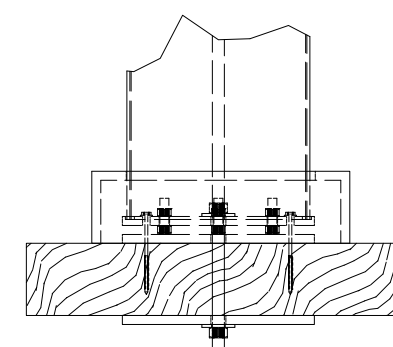


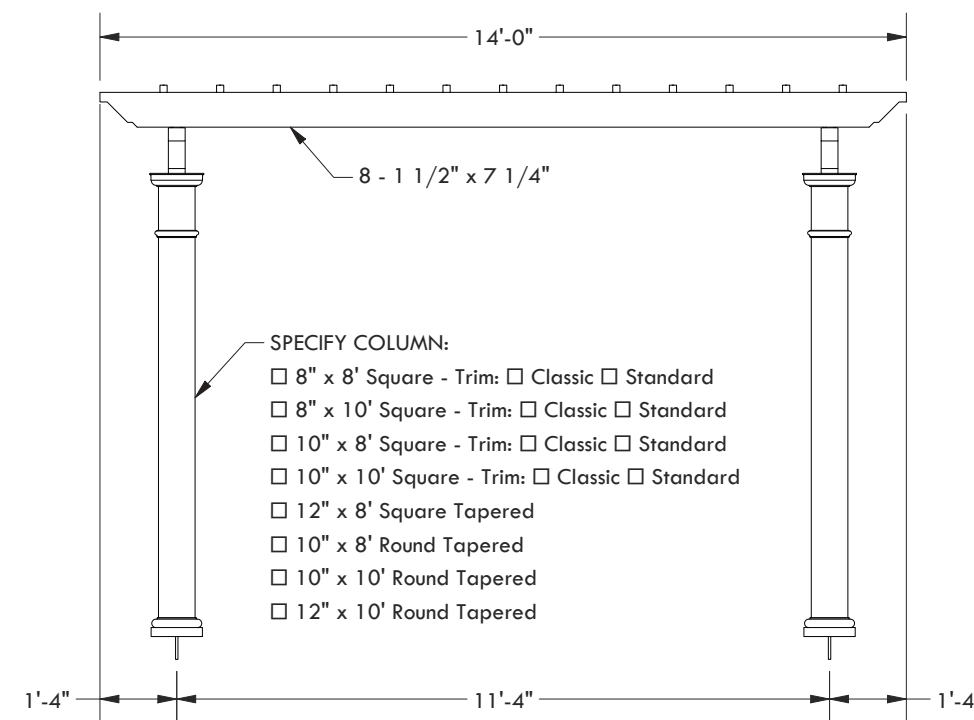
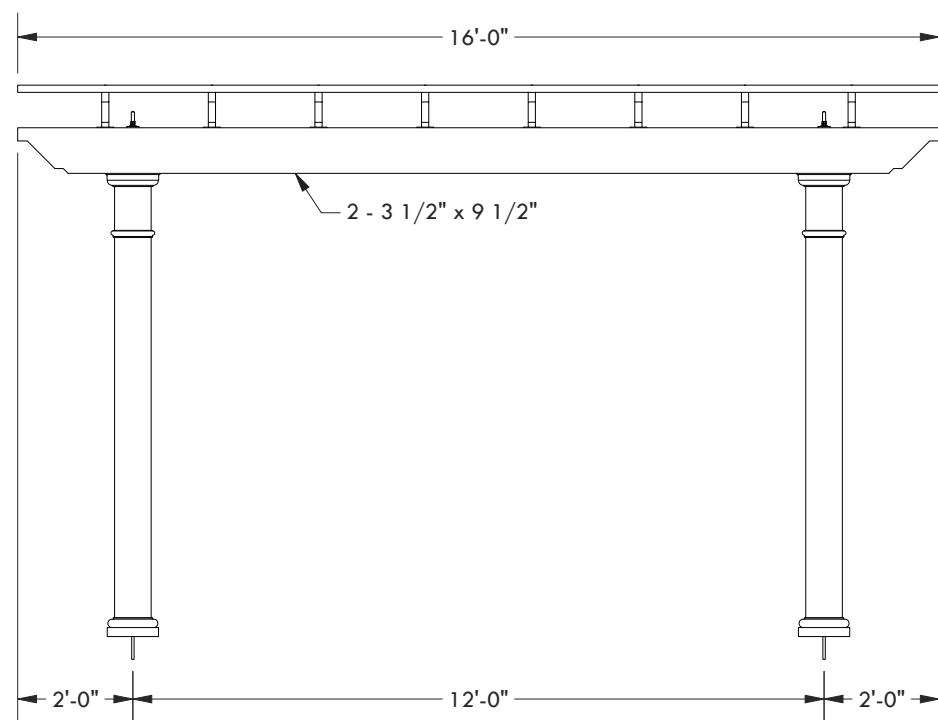
CLASSIC TRIM STANDARD TRIM



CONCRETE MOUNT



FRAMING MOUNT



- SPECIFY COLUMN:
- 8" x 8' Square - Trim: Classic Standard
 - 8" x 10' Square - Trim: Classic Standard
 - 10" x 8' Square - Trim: Classic Standard
 - 10" x 10' Square - Trim: Classic Standard
 - 12" x 8' Square Tapered
 - 10" x 8' Round Tapered
 - 10" x 10' Round Tapered
 - 12" x 10' Round Tapered

© 2021 Structureworks

| DESCRIPTION | | | |
|--|----|-----------------|----------|
| 16' WIDE X 14' PROJECTION FREESTANDING TREX PERGOLA | | | |
| REV | BY | DESCRIPTION | DATE |
| 1 | NB | INITIAL RELEASE | 03/24/21 |

Trex® Pergola™

www.trexpergola.com 888.908.4965