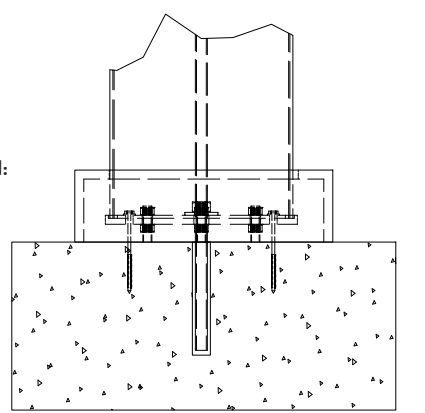
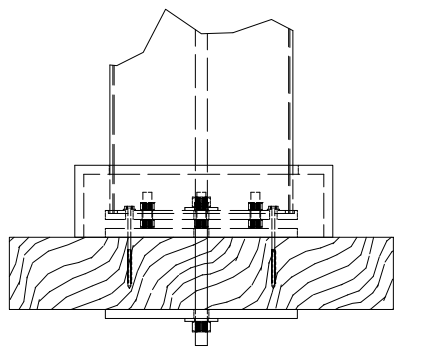


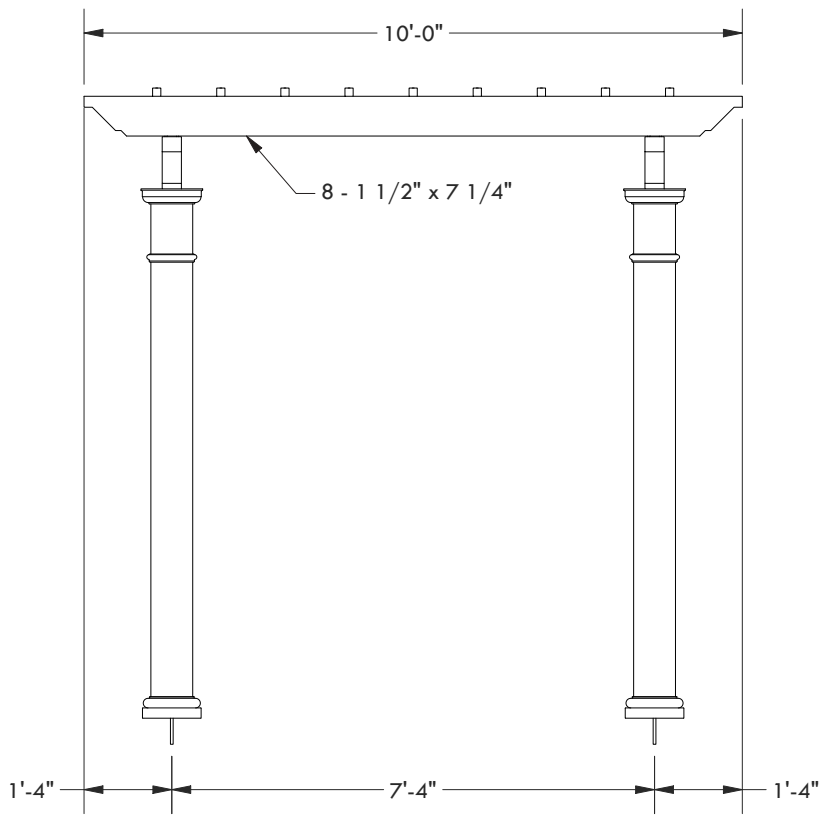
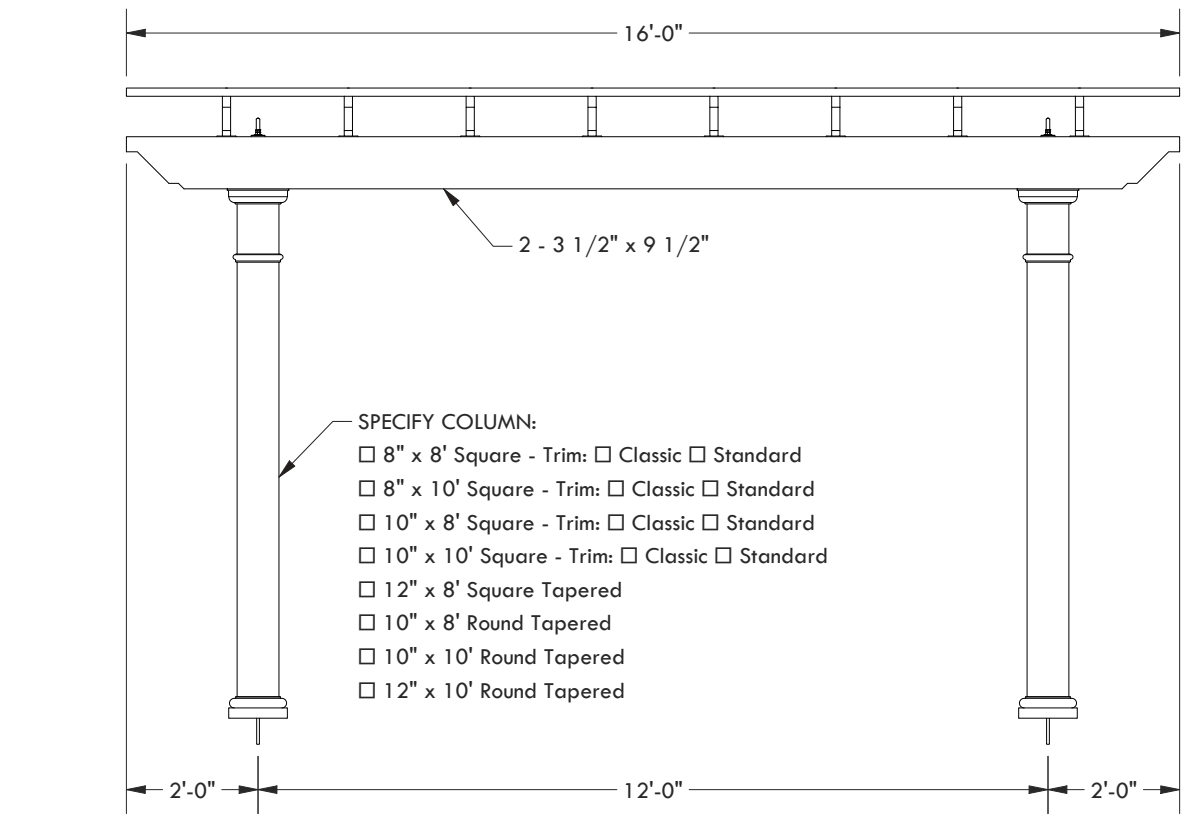
CLASSIC TRIM      STANDARD TRIM



CONCRETE MOUNT



FRAMING MOUNT



- SPECIFY COLUMN:
- 8" x 8" Square - Trim:  Classic  Standard
  - 8" x 10" Square - Trim:  Classic  Standard
  - 10" x 8" Square - Trim:  Classic  Standard
  - 10" x 10" Square - Trim:  Classic  Standard
  - 12" x 8" Square Tapered
  - 10" x 8" Round Tapered
  - 10" x 10" Round Tapered
  - 12" x 10" Round Tapered

DESCRIPTION			
<b>16' WIDE X 10' PROJECTION FREESTANDING TREX PERGOLA</b>			
REV	BY	DESCRIPTION	DATE
1	NB	INITIAL RELEASE	03/24/21

**Trex® Pergola™**  
www.trexpergola.com 888.908.4965

© 2021 Structureworks