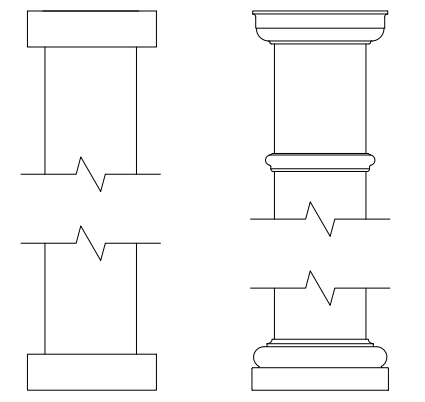


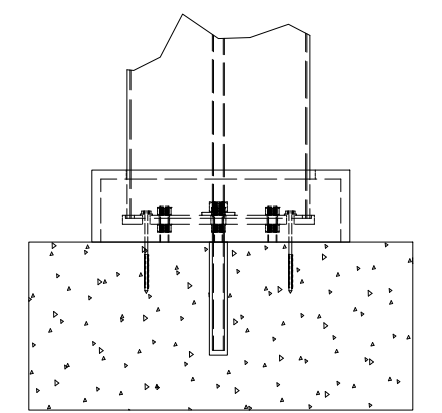
SPECIFY FINISH - STRUCTURE:  
 UNPAINTED WHITE  
 COLORLAST: \_\_\_\_\_

SPECIFY BASE CONNECTION:  
 CONCRETE MOUNT  
 FRAMING MOUNT

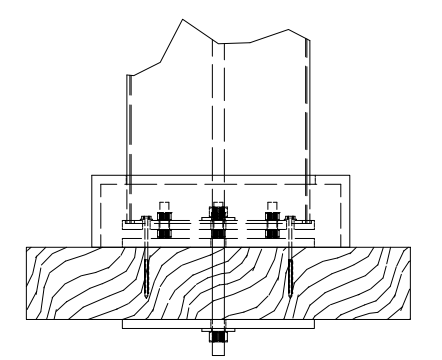
SPECIFY FINISH - COLUMN: \_\_\_\_\_



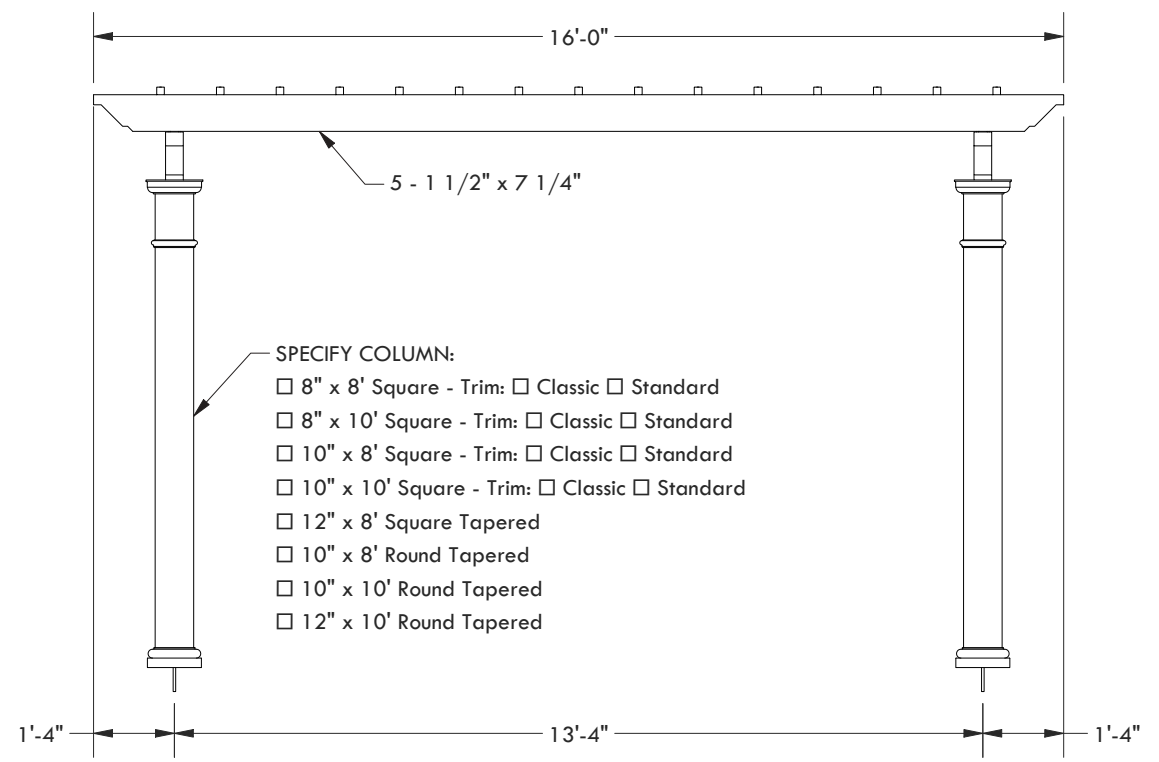
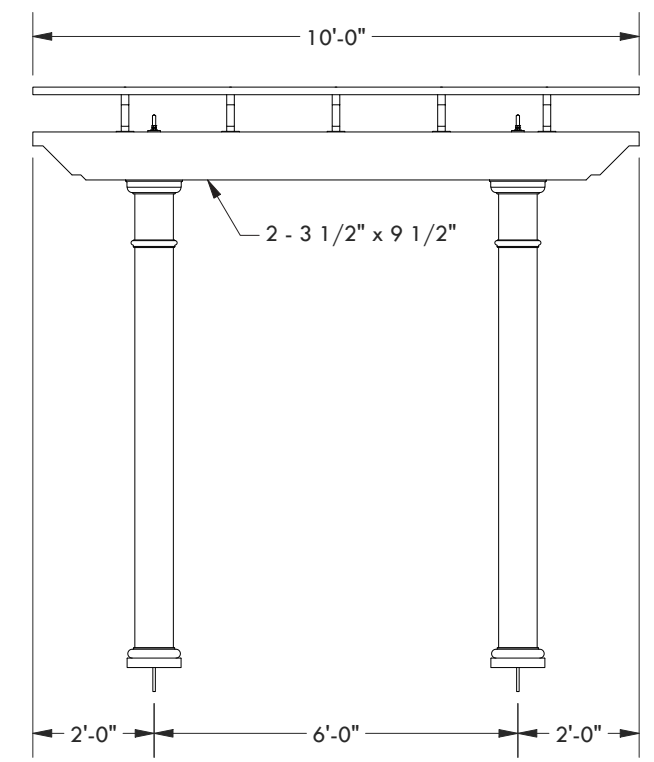
CLASSIC TRIM      STANDARD TRIM



CONCRETE MOUNT



FRAMING MOUNT



- SPECIFY COLUMN:
- 8" x 8' Square - Trim:  Classic  Standard
  - 8" x 10' Square - Trim:  Classic  Standard
  - 10" x 8' Square - Trim:  Classic  Standard
  - 10" x 10' Square - Trim:  Classic  Standard
  - 12" x 8' Square Tapered
  - 10" x 8' Round Tapered
  - 10" x 10' Round Tapered
  - 12" x 10' Round Tapered

© 2021 Structureworks

DESCRIPTION			
<b>10' WIDE X 16' PROJECTION FREESTANDING TREX PERGOLA</b>			
REV	BY	DESCRIPTION	DATE
1	NB	INITIAL RELEASE	03/24/21
<b>Trex® Pergola™</b>			
www.trexpergola.com 888.908.4965			