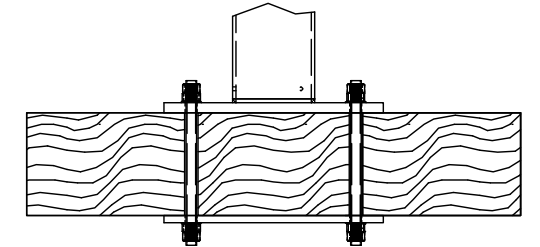
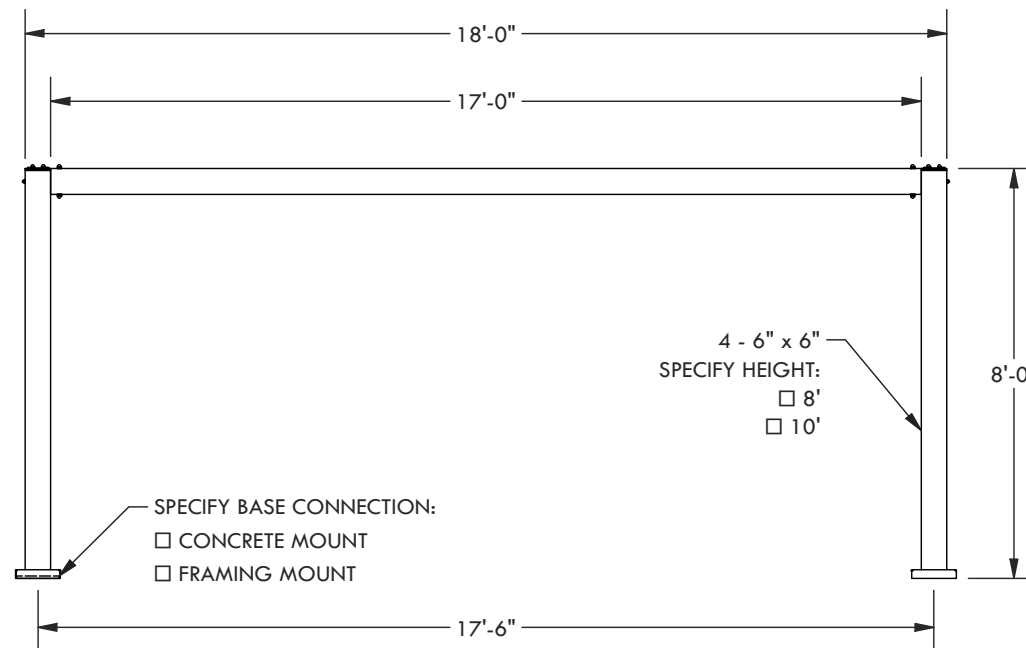
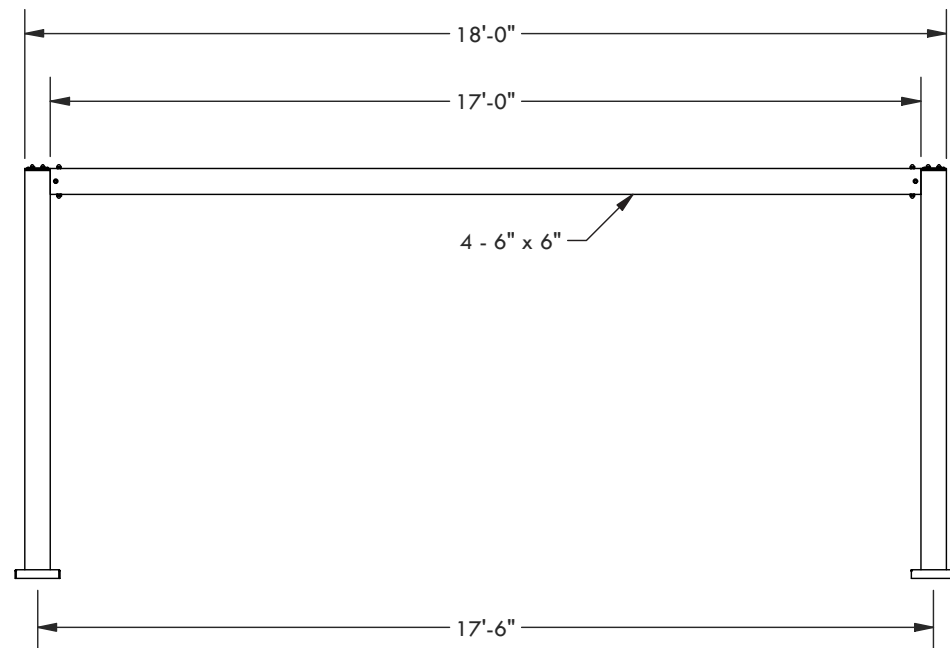


CONCRETE MOUNT



FRAMING MOUNT

| DESCRIPTION   |    |                 |          |
|---|----|-----------------|----------|
| <b>18' WIDE X 18' PROJECTION<br/>FREESTANDING SOLIS</b> |    |                 |          |
| REV   | BY | DESCRIPTION     | DATE     |
|   | PR | INITIAL RELEASE | 03/09/23 |

© 2023 Structureworks

**STRUCTUREWORKS™**

www.structureworks.com 877.489.8064