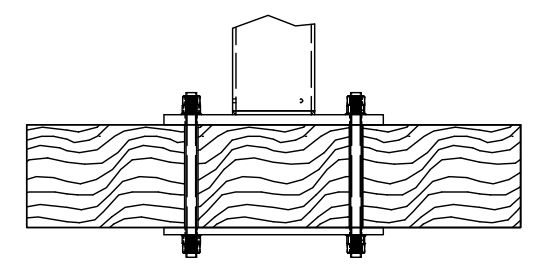
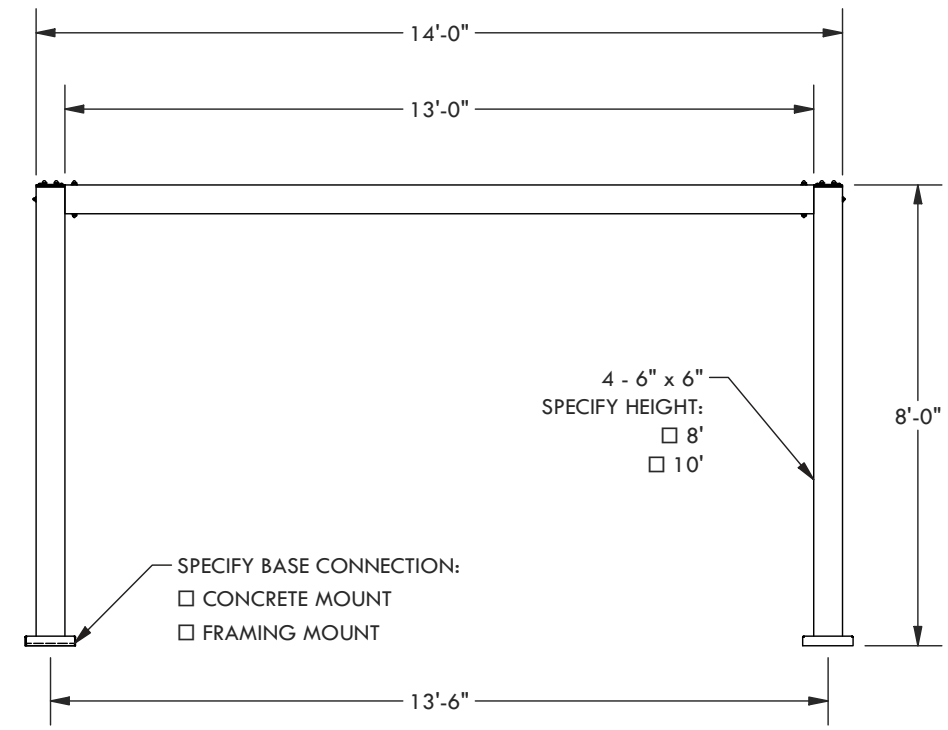
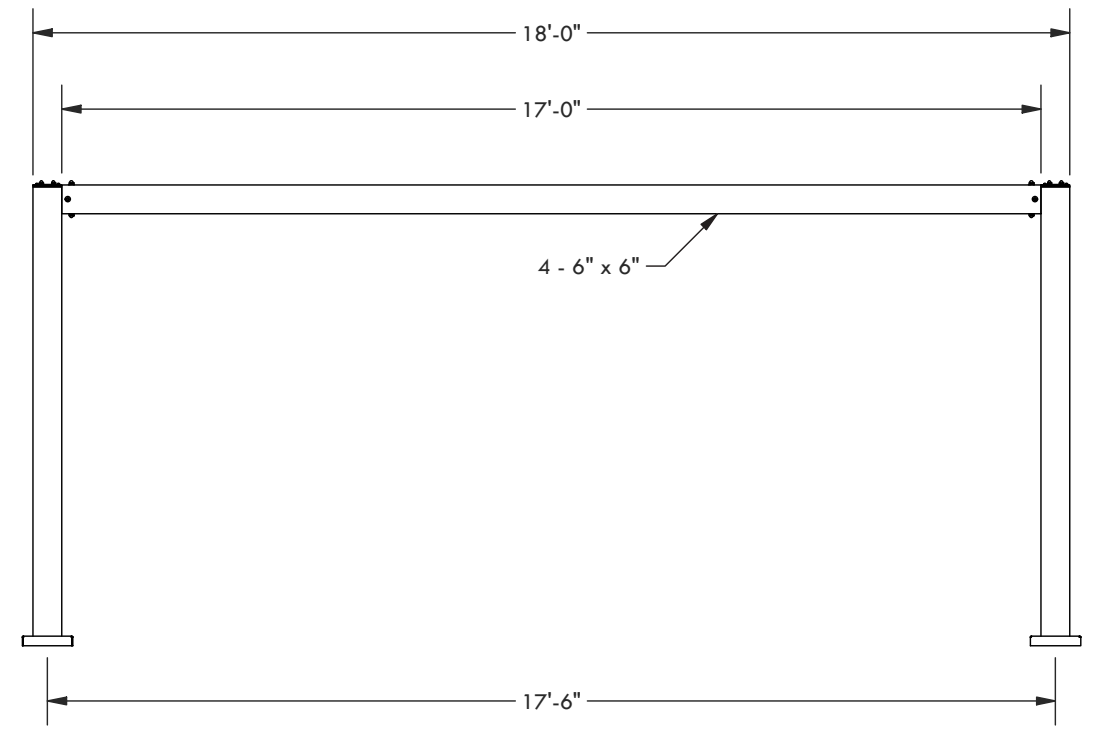


CONCRETE MOUNT



FRAMING MOUNT



DESCRIPTION			
18' WIDE X 14' PROJECTION FREESTANDING SOLIS			
REV	BY	DESCRIPTION	DATE
	PR	INITIAL RELEASE	05/09/23
STRUCTUREWORKS™			
www.structureworks.com 877.489.8064			

© 2023 Structureworks