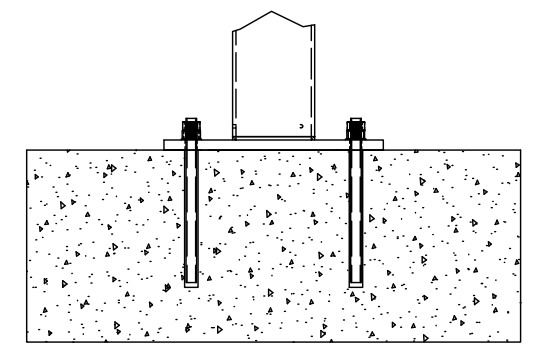
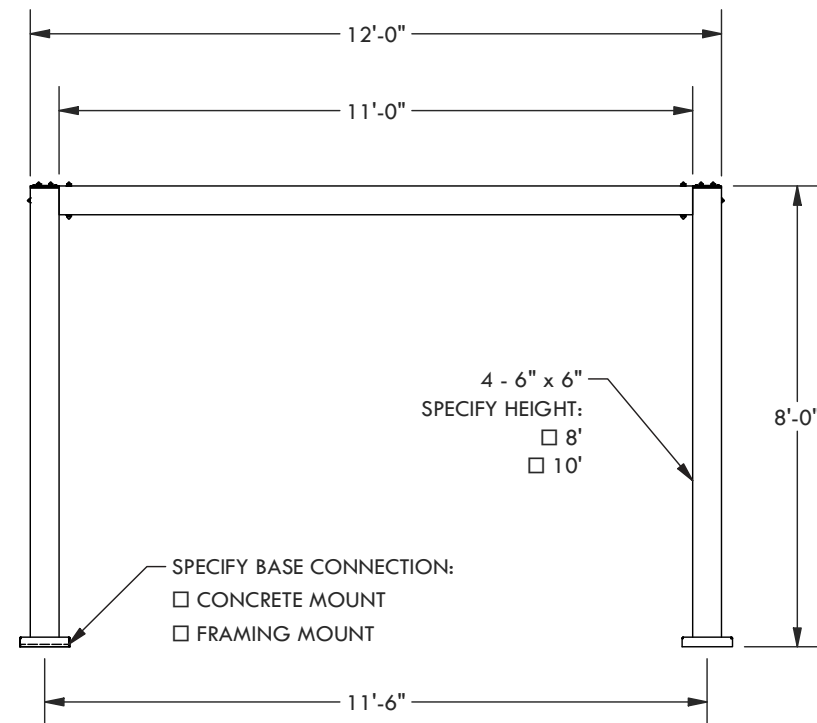
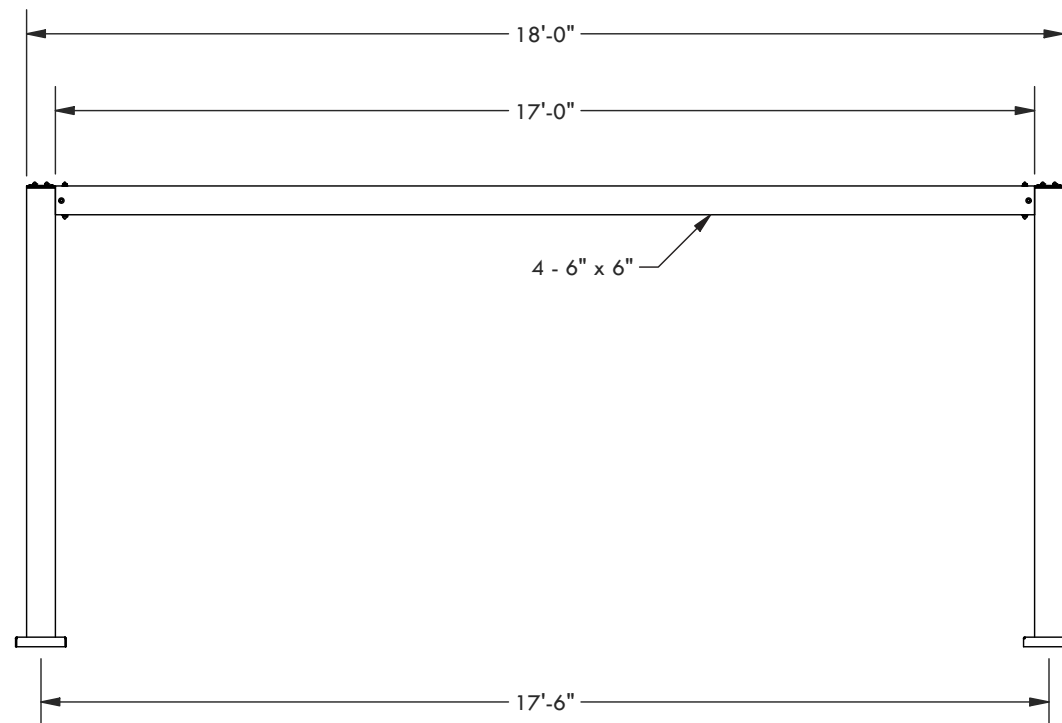
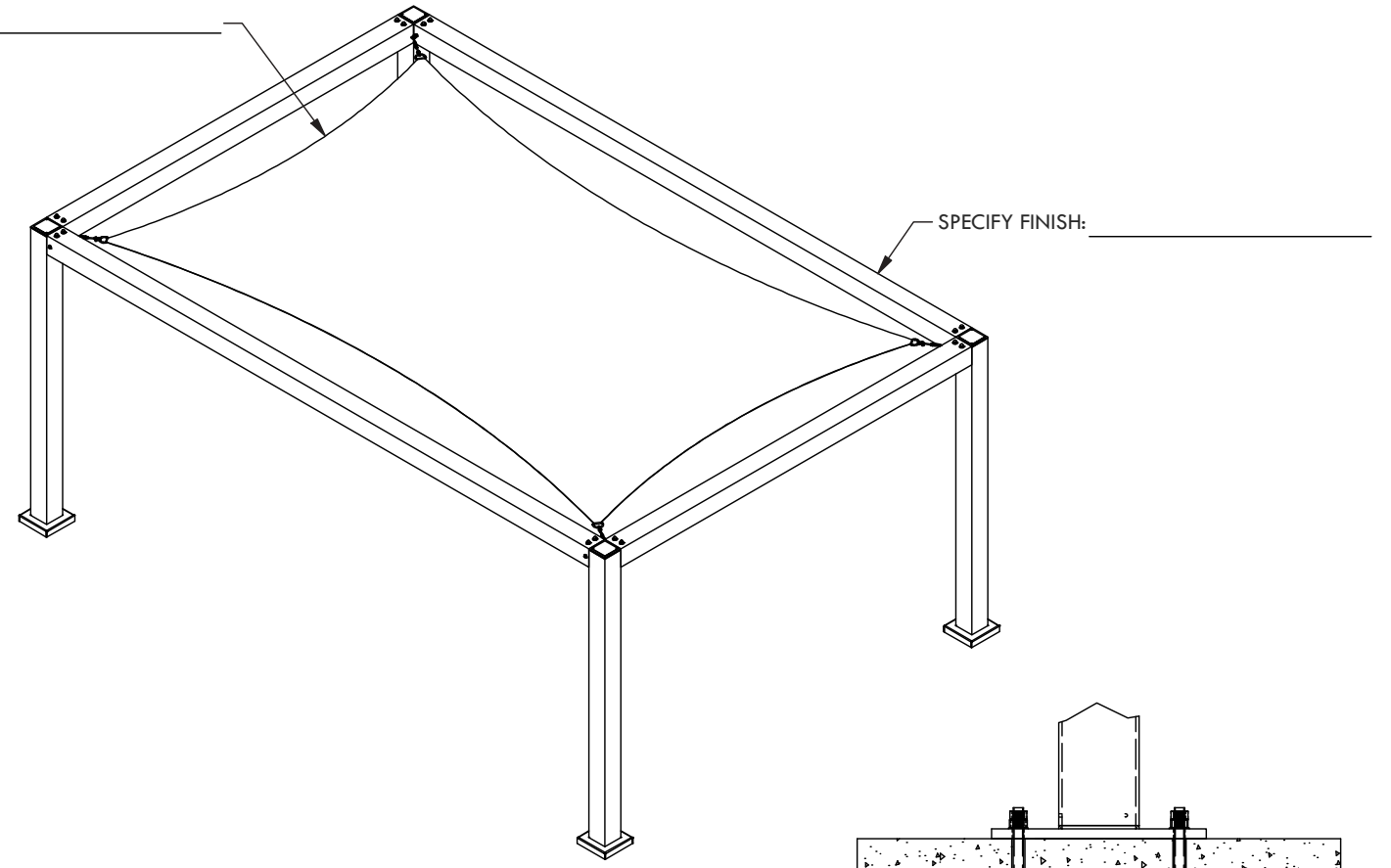
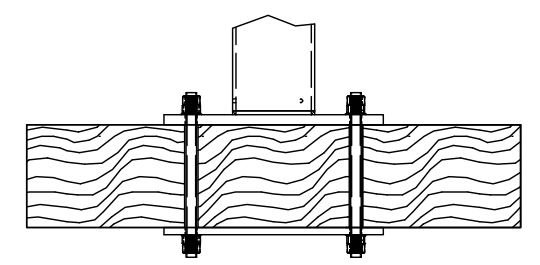


SPECIFY FABRIC:



CONCRETE MOUNT



FRAMING MOUNT

DESCRIPTION			
18' WIDE X 12' PROJECTION FREESTANDING SOLIS			
REV	BY	DESCRIPTION	DATE
	PR	INITIAL RELEASE	05/09/23

© 2023 Structureworks