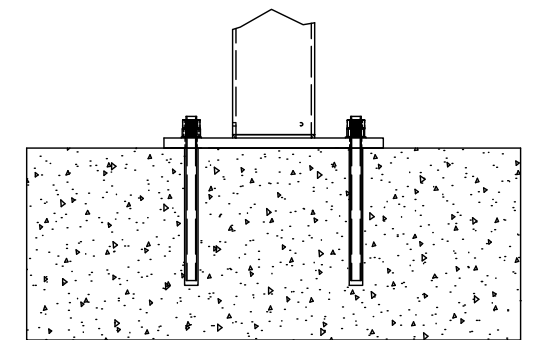
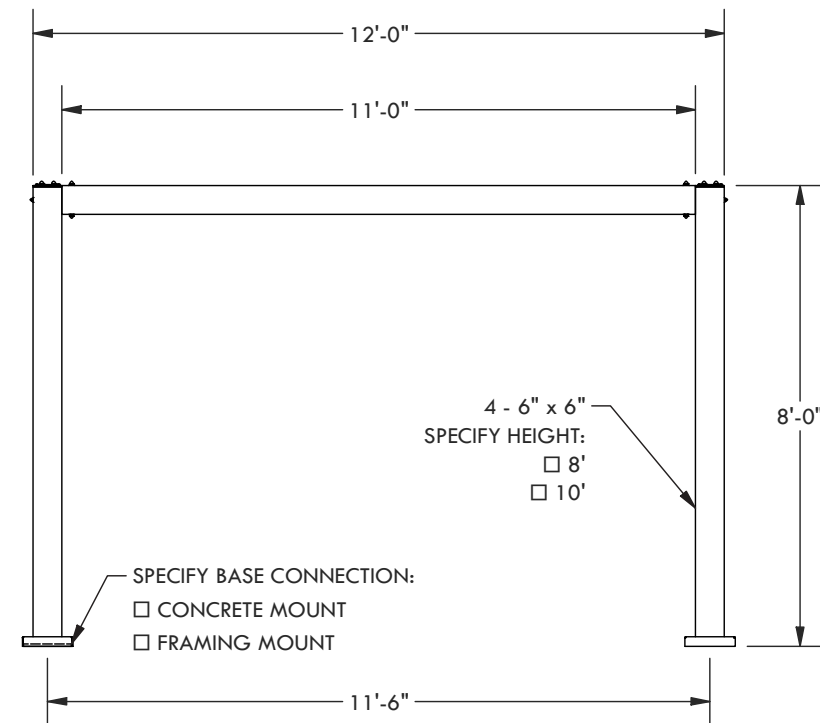
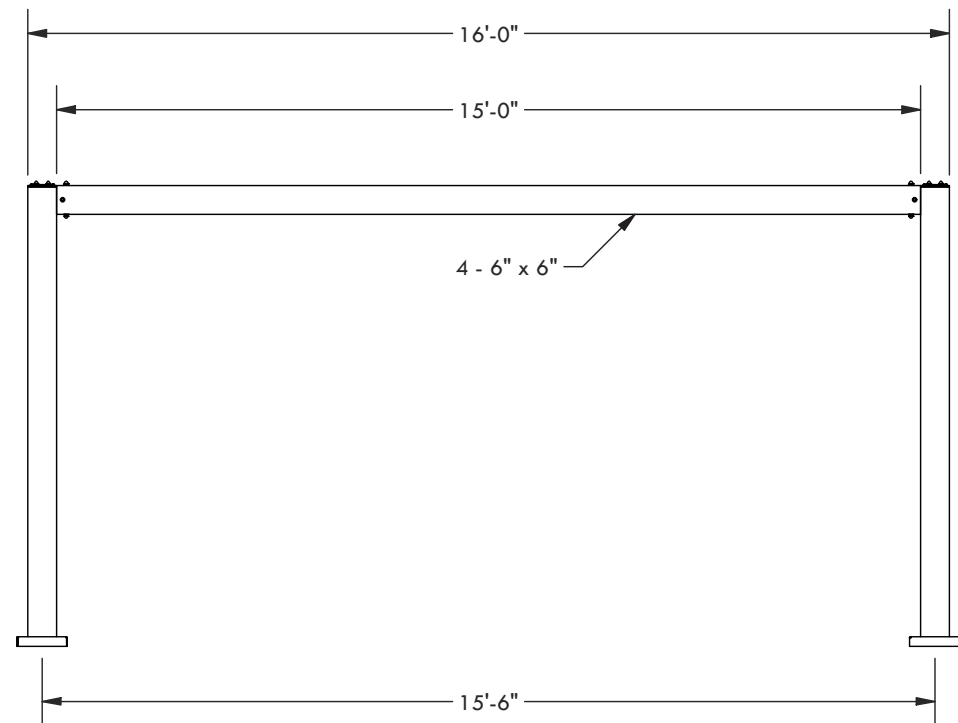
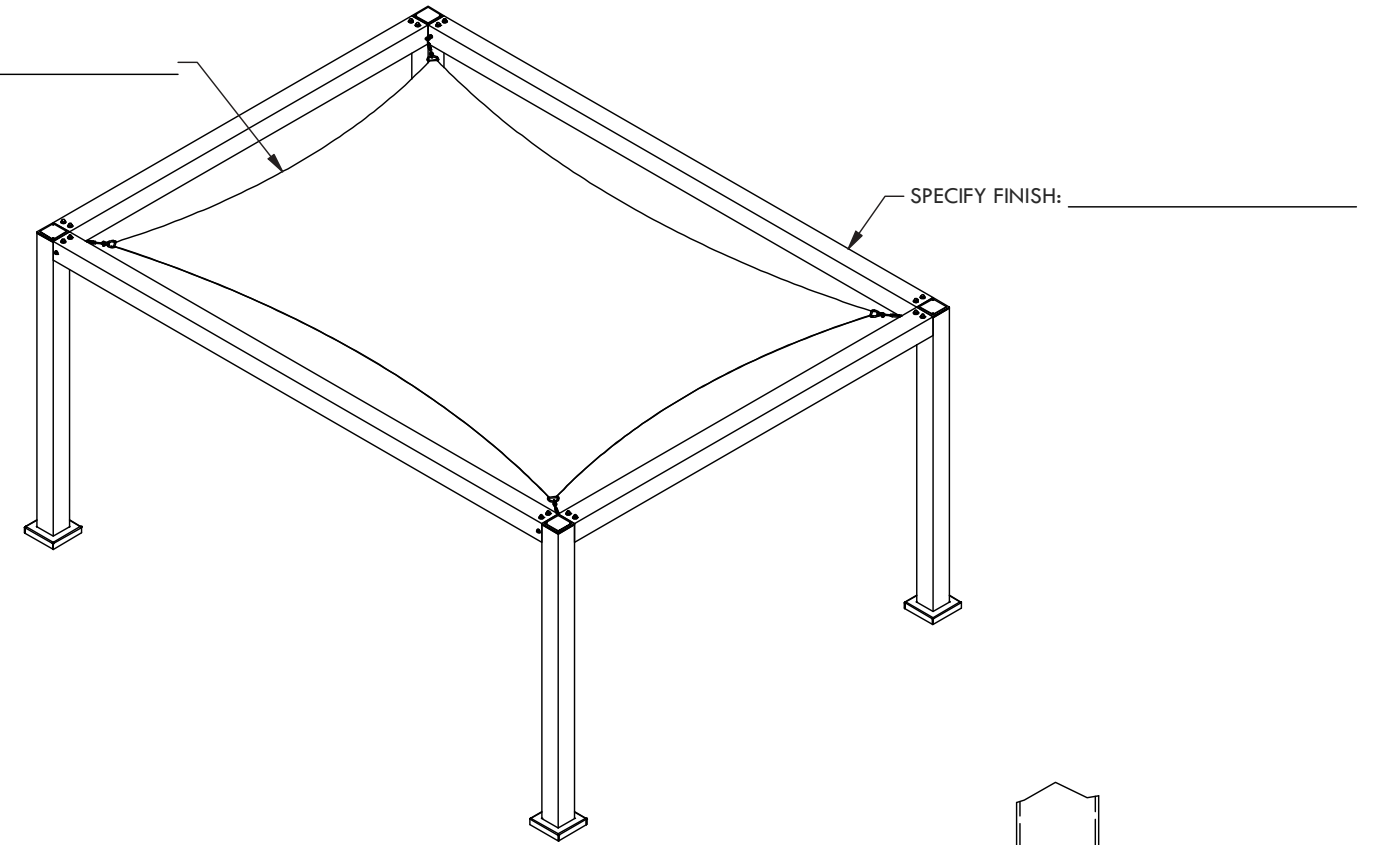
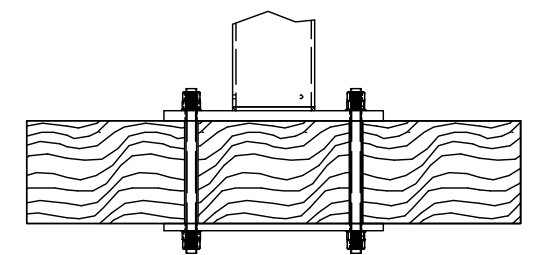


SPECIFY FABRIC:



CONCRETE MOUNT



FRAMING MOUNT

DESCRIPTION			
16' WIDE X 12' PROJECTION FREESTANDING SOLIS			
REV	BY	DESCRIPTION	DATE
	PR	INITIAL RELEASE	05/08/23

© 2023 Structureworks

STRUCTUREWORKS™

www.structureworks.com 877.489.8064