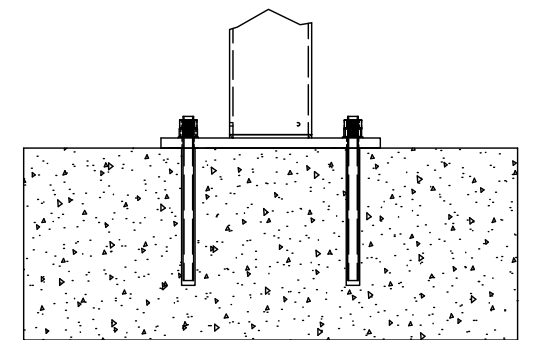
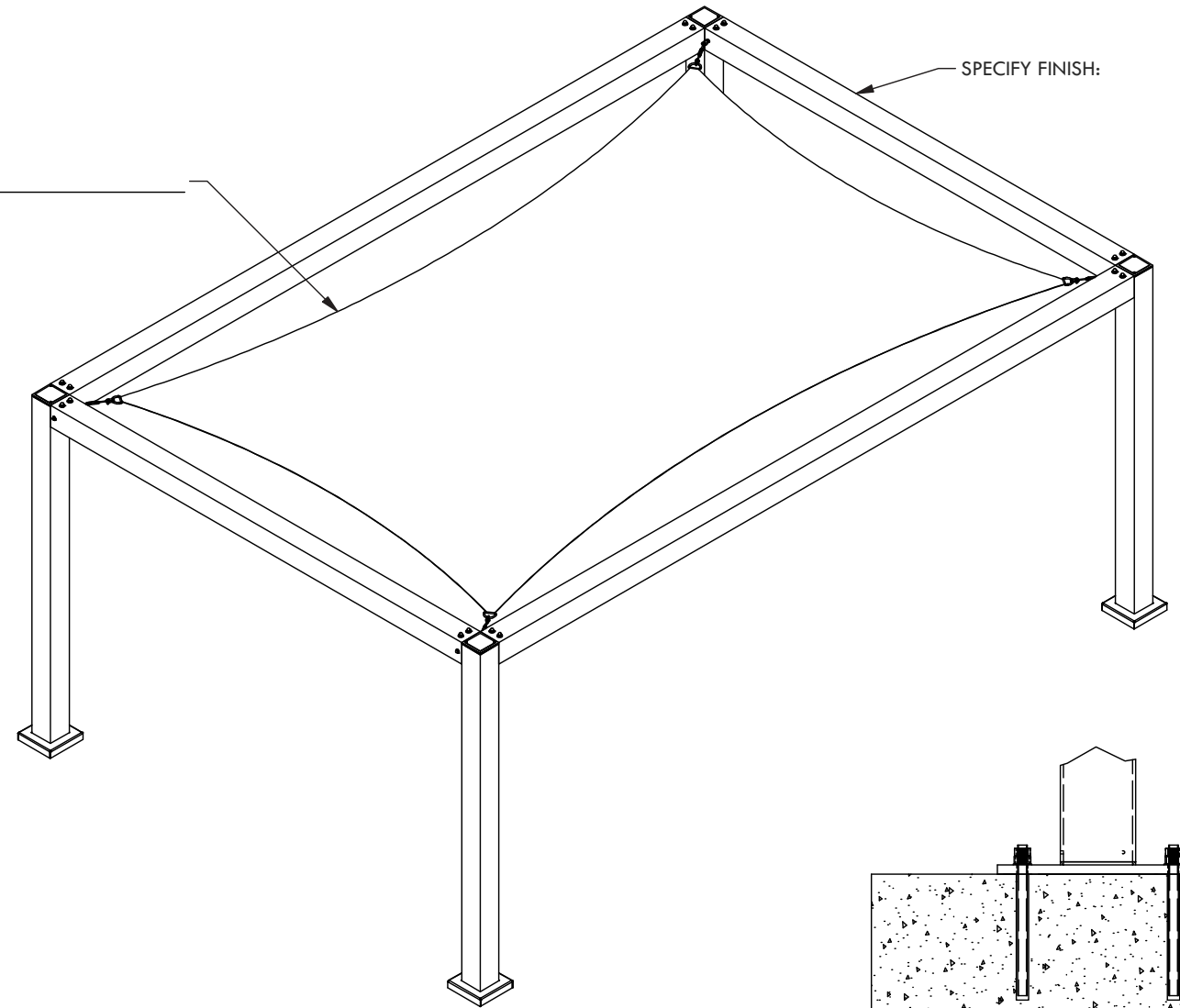
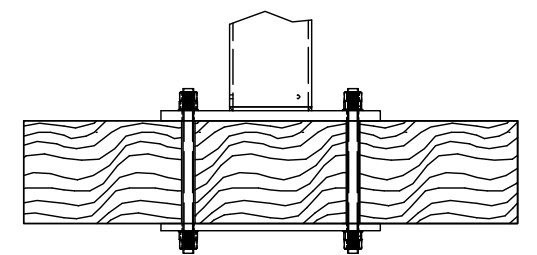


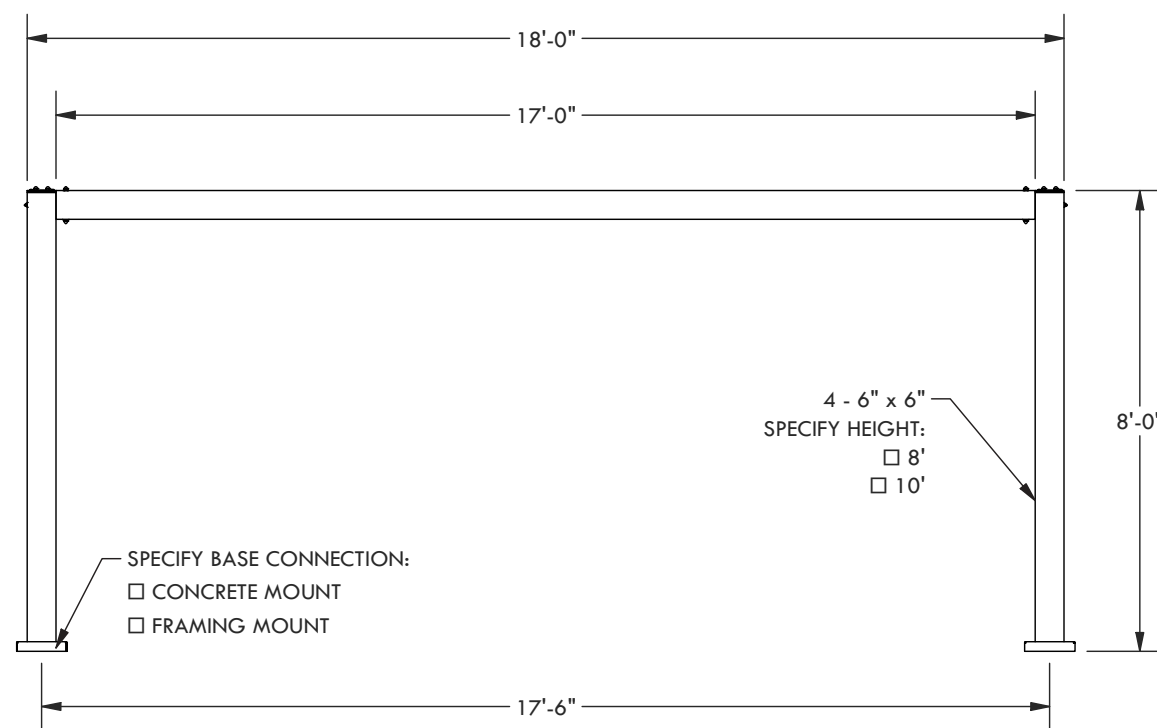
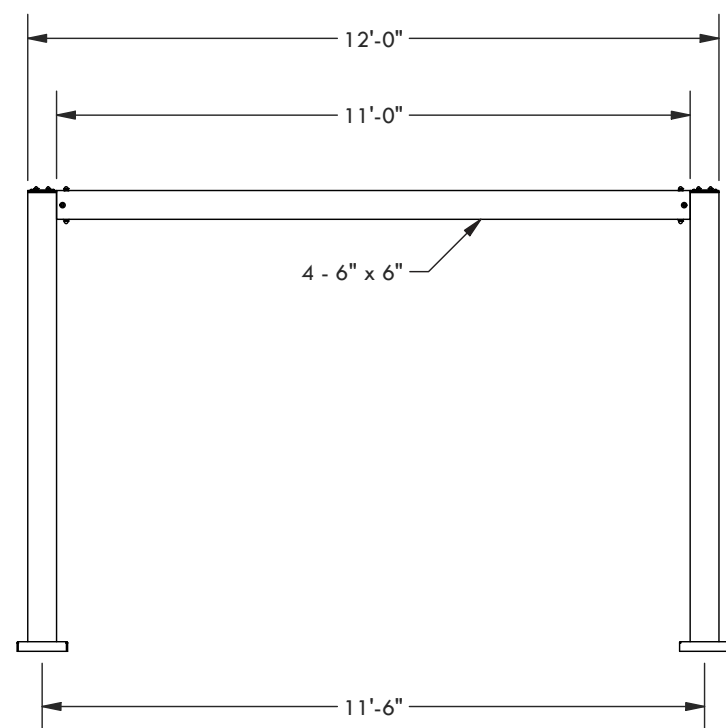
SPECIFY FABRIC:



CONCRETE MOUNT



FRAMING MOUNT



SPECIFY BASE CONNECTION:

- CONCRETE MOUNT
- FRAMING MOUNT

DESCRIPTION			
12' WIDE X 18' PROJECTION FREESTANDING SOLIS			
REV	BY	DESCRIPTION	DATE
	PR	INITIAL RELEASE	03/09/23

© 2023 Structureworks

STRUCTUREWORKS™

www.structureworks.com 877.489.8064