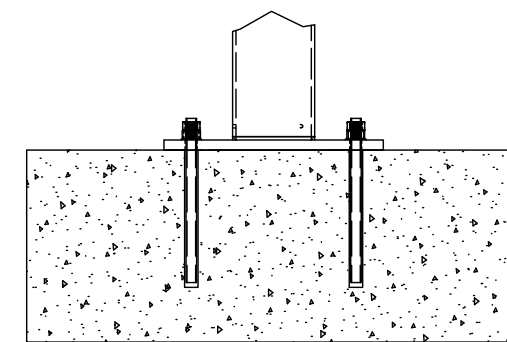
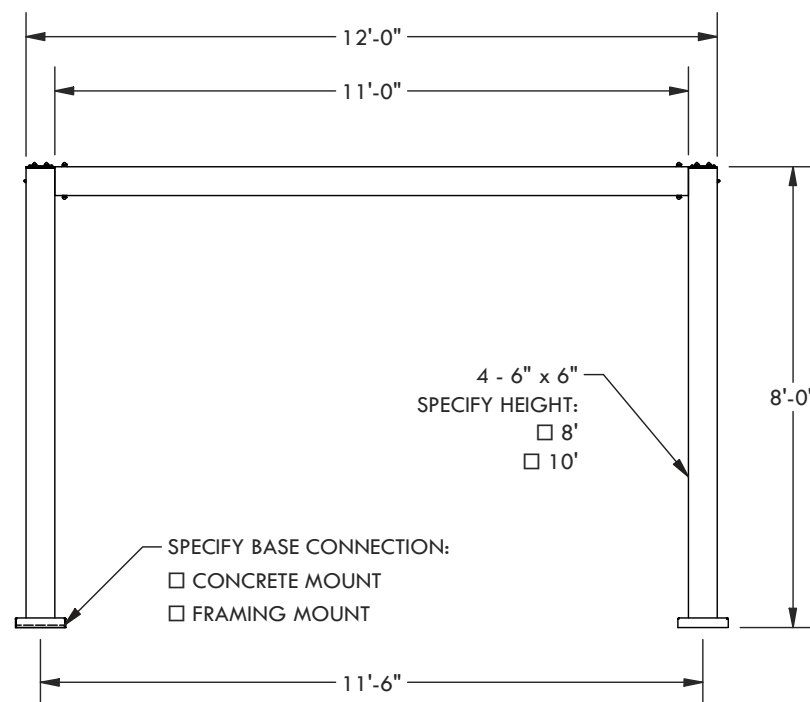
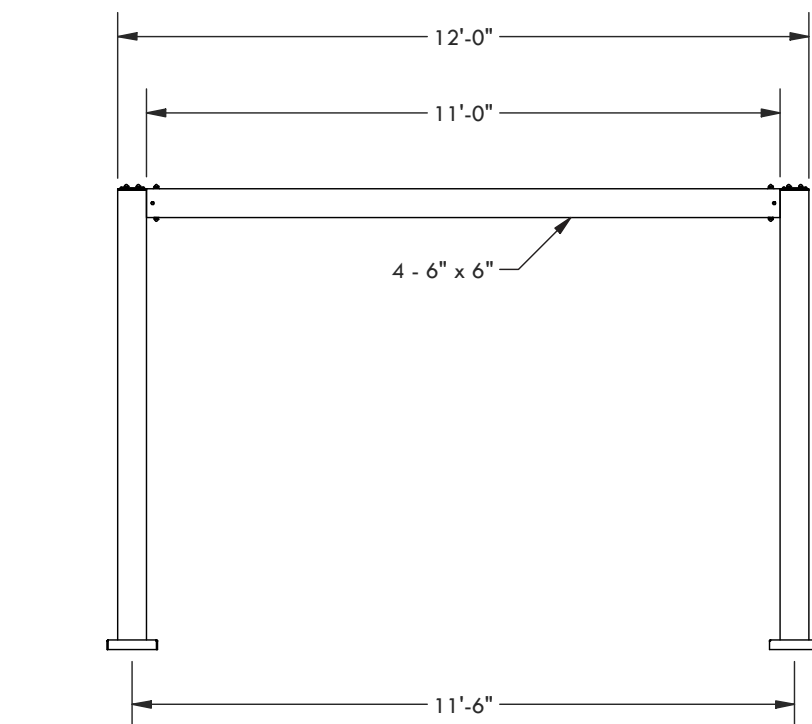
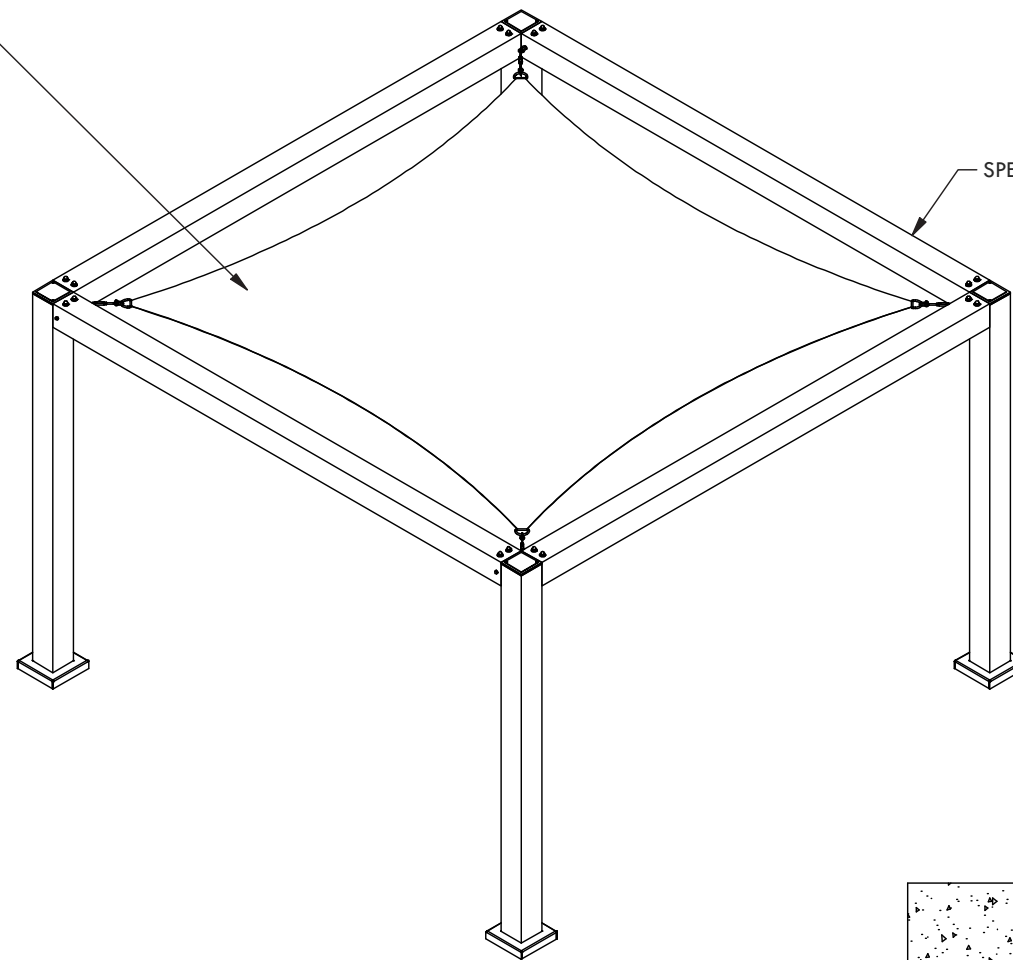
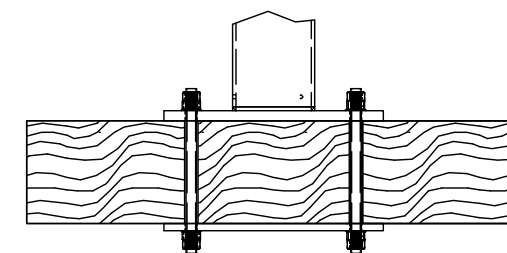


SPECIFY FABRIC: _____

SPECIFY FINISH: _____



CONCRETE MOUNT



FRAMING MOUNT

DESCRIPTION			
12' WIDE X 12' PROJECTION FREESTANDING SOLIS			
REV	BY	DESCRIPTION	DATE
	PR	INITIAL RELEASE	05/05/23

© 2023 Structureworks

STRUCTUREWORKS™

www.structureworks.com 877.489.8064